



Specifications

Frequency (GHz)	Power P1dB (dBm)	Gain (dB)	Gain Flatness (±dB)	Voltage (V)	Current (A, Typ.)
81-86	37 (Psat)	37	2 (typ)	12-32	13A@12V

QuinStar
Technology, Inc.

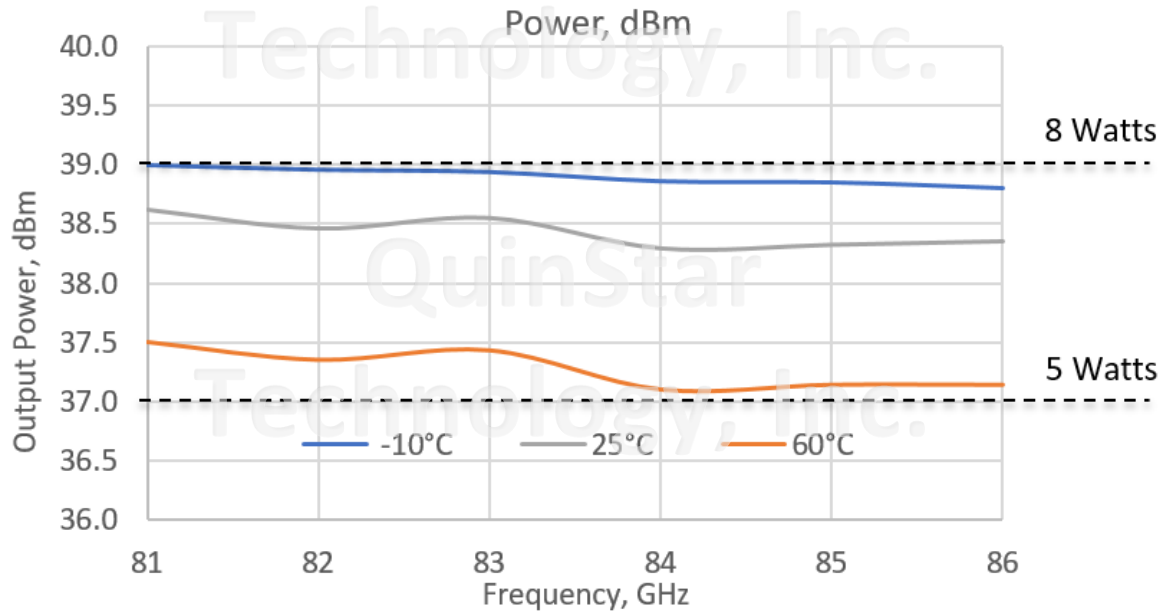
QuinStar
Technology, Inc.

QuinStar
Technology, Inc.

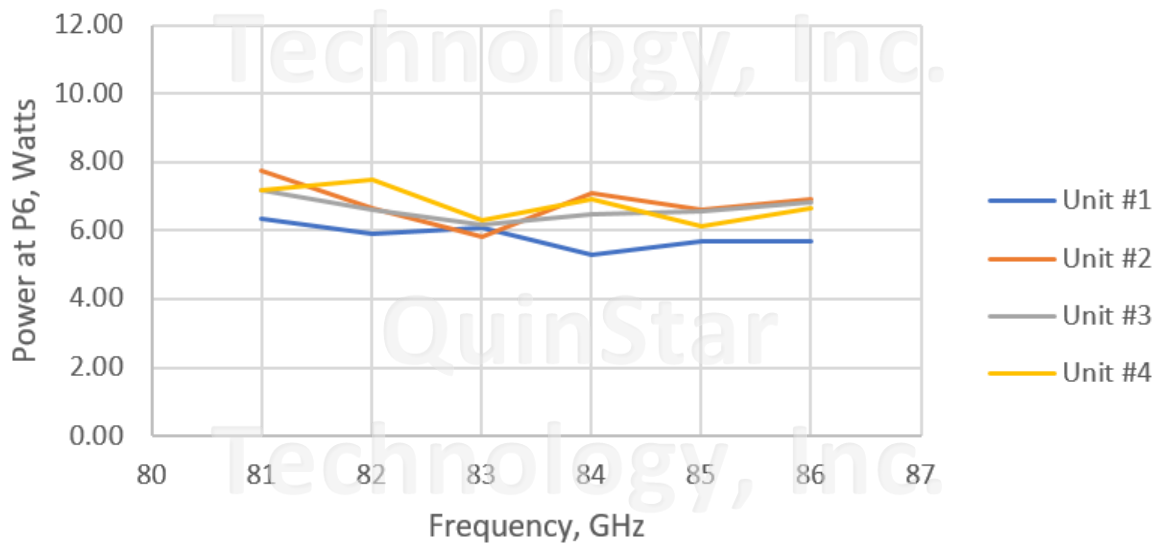
QuinStar
Technology, Inc.



Plots

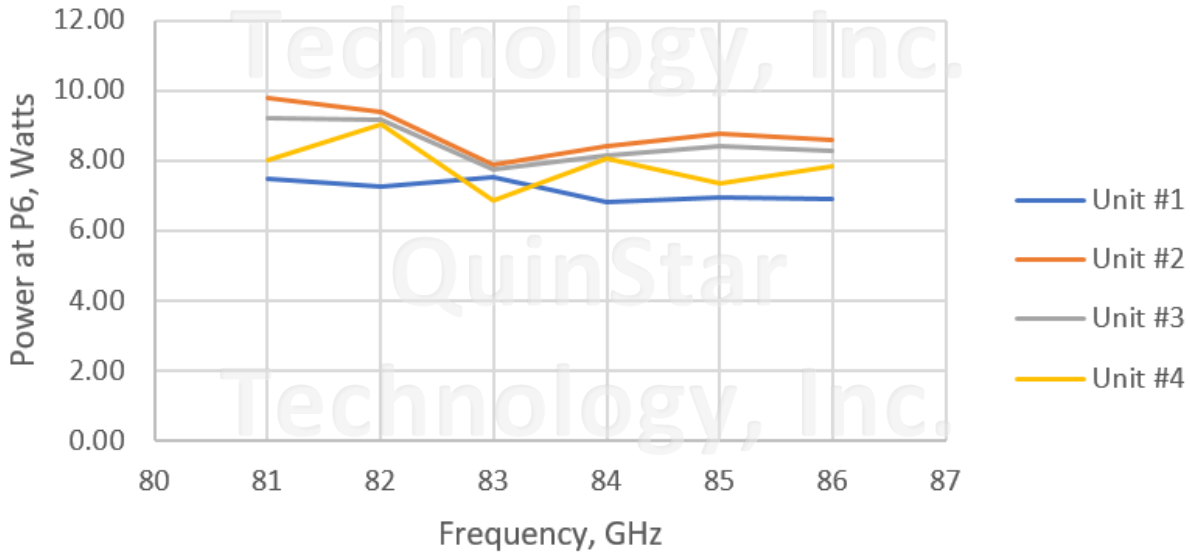


Output Power at 0 dBm input, Watts
65 deg C

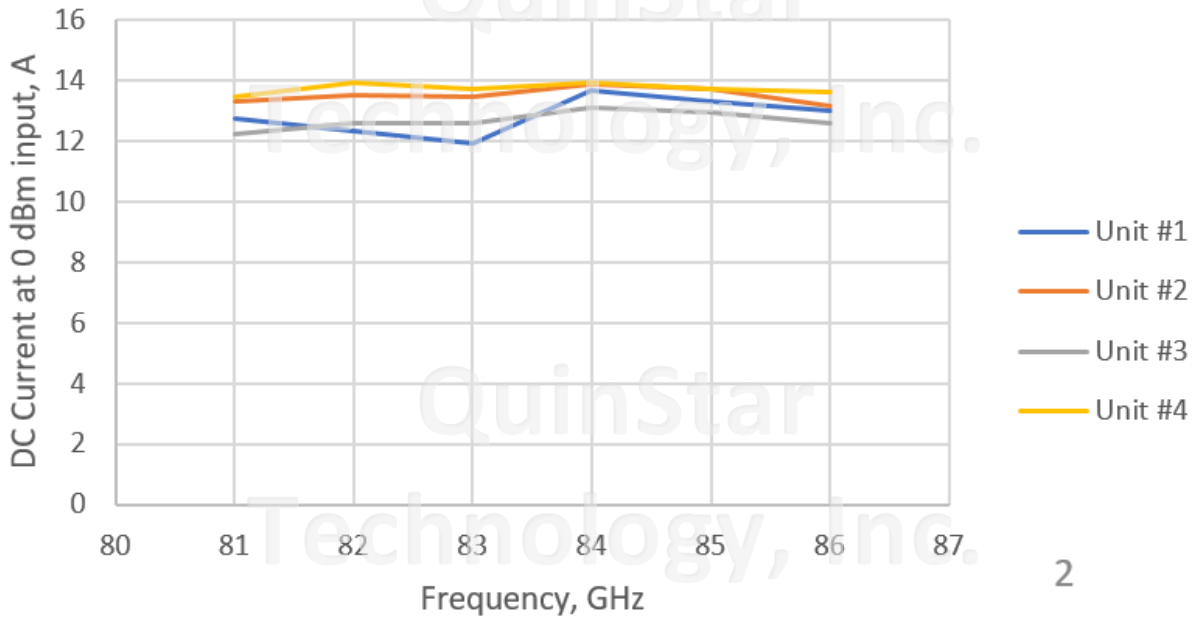




Output Power at 0 dBm input, Watts
25 deg C

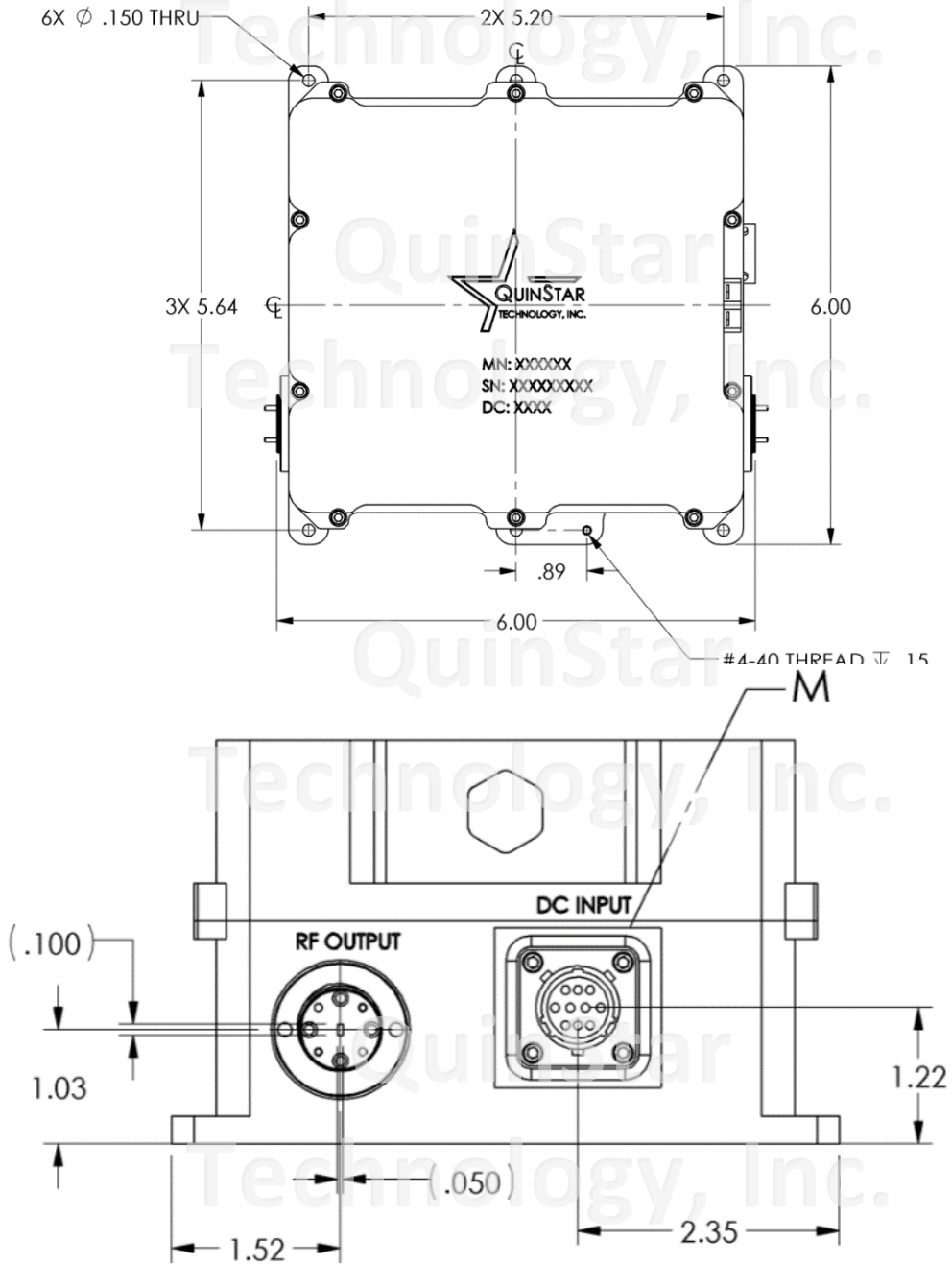


DC current, 0 dBm input
25 deg C





Outline Drawings





QPW-81863741
W-Band Solid State Power Amplifier

