

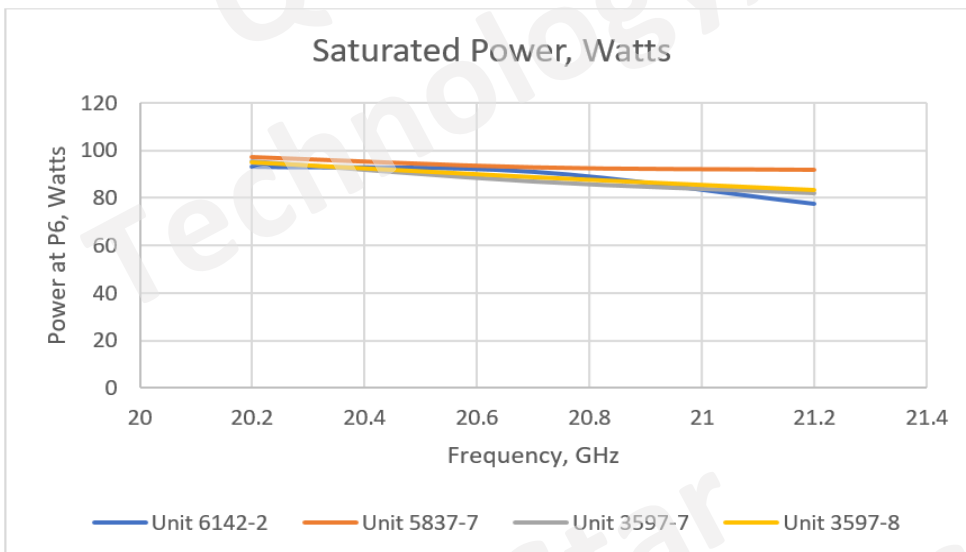
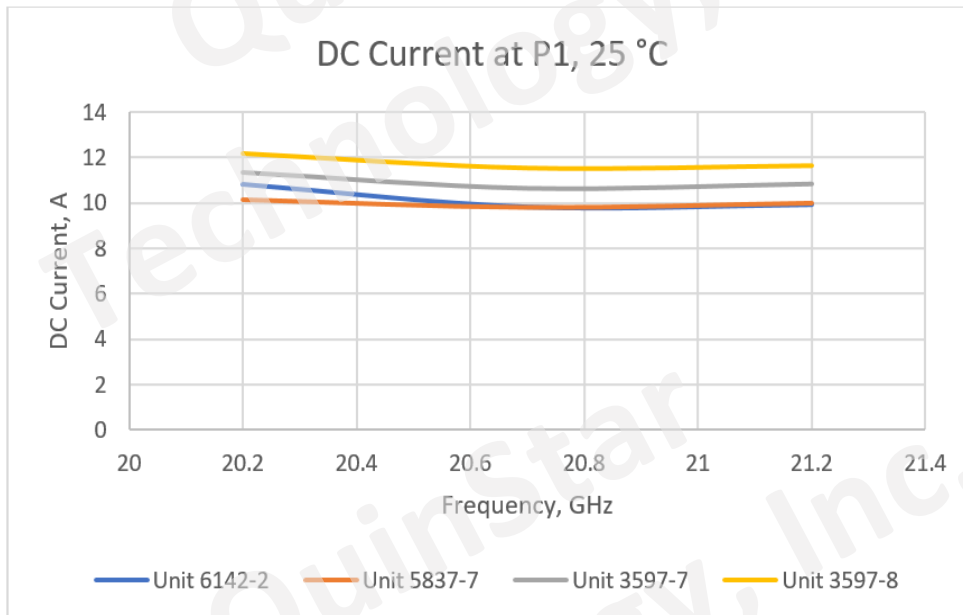


Specifications

Frequency (GHz)	Power P1dB (dBm)	Gain (dB)	Gain Flatness (\pm dB)	Voltage (V)	Current (A, Typ.)
20.2-21.2	47	50	1	28	11.5
*All data were taken at 25°C.					
*Current is measured at P1dB.					

Plots

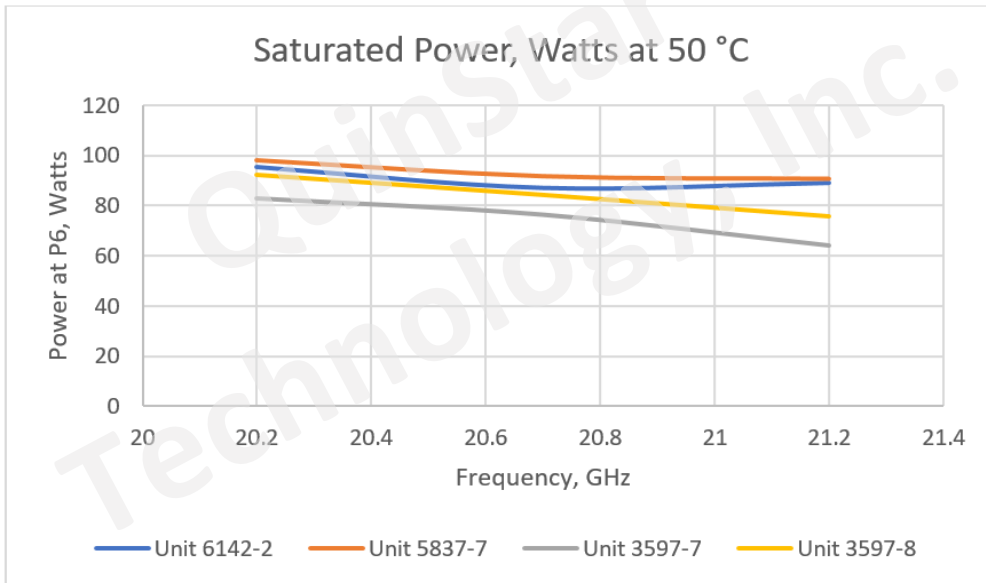
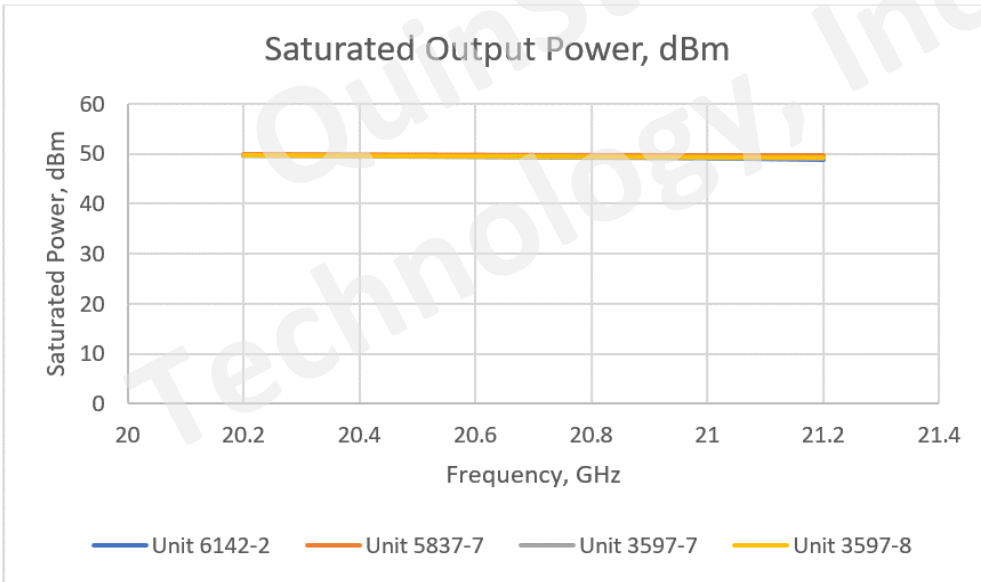
Results at 25 °C



Made in USA

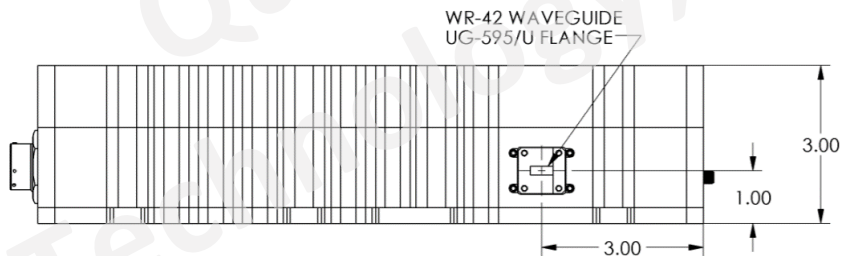
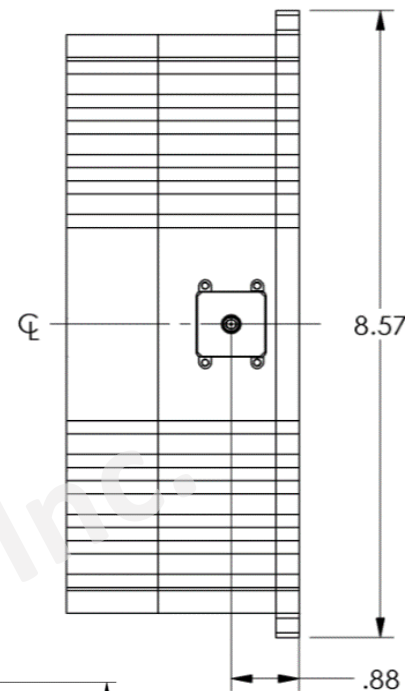
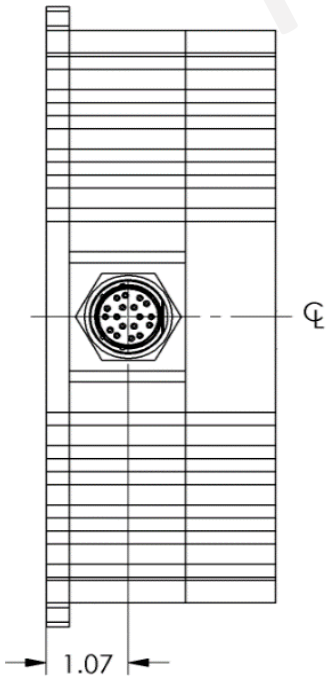
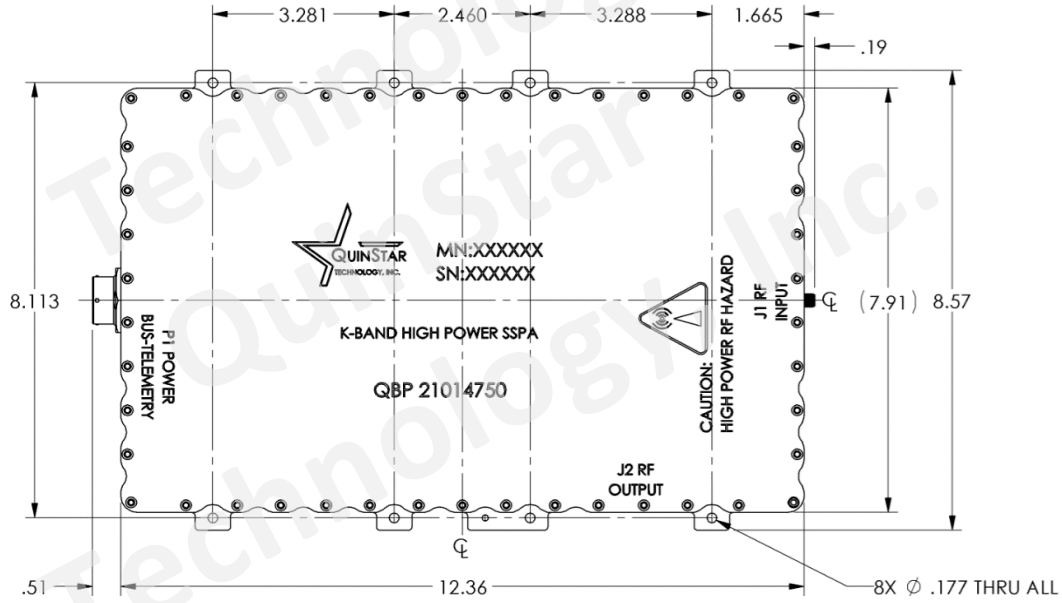


QBP-210147500 K-Band Amplifier



Made in USA

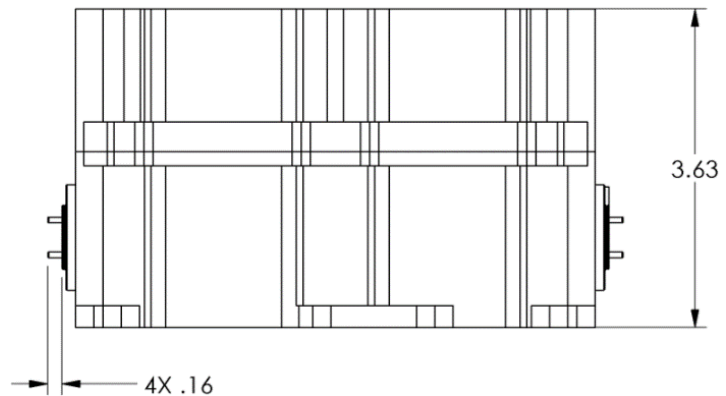
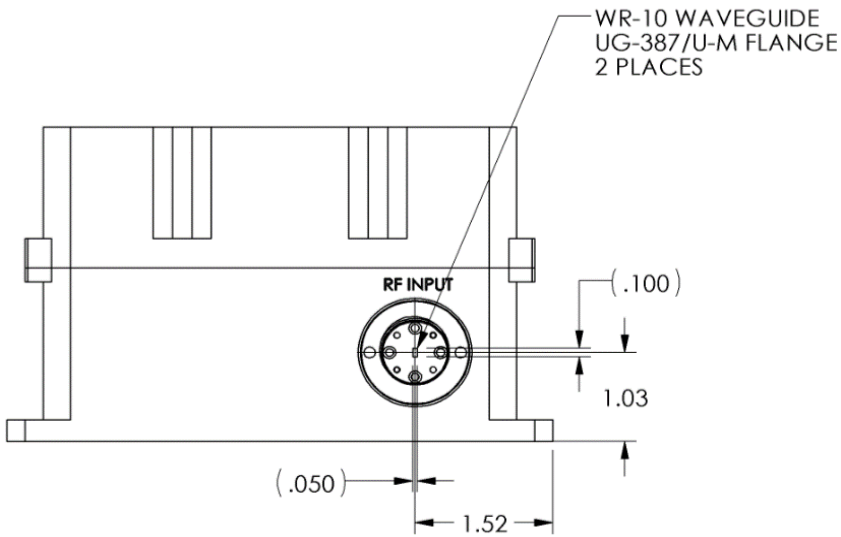
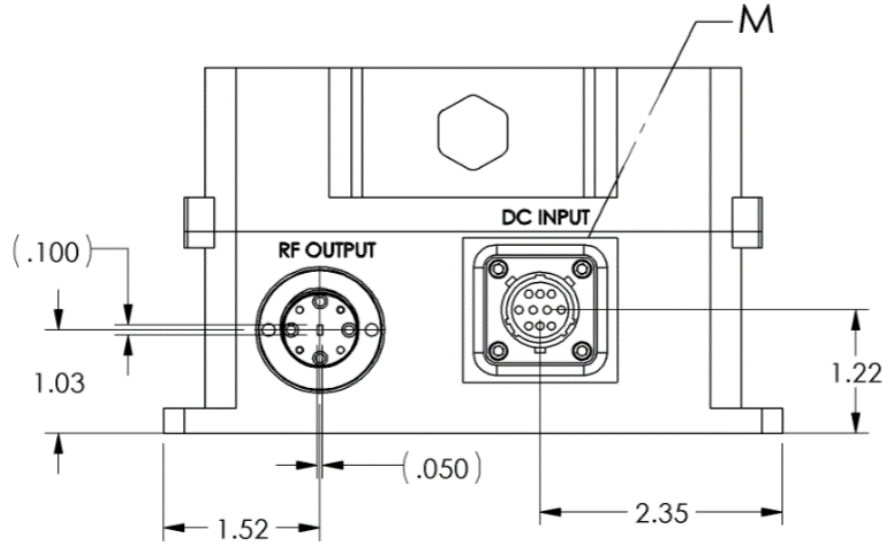
Outline Drawings



Made in USA



QBP-210147500 K-Band Amplifier



Made in USA