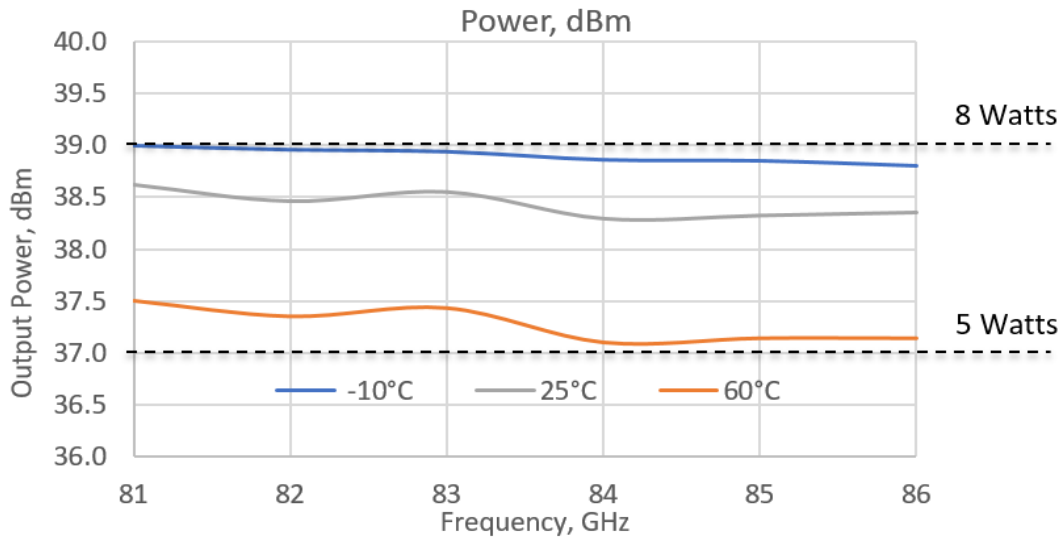




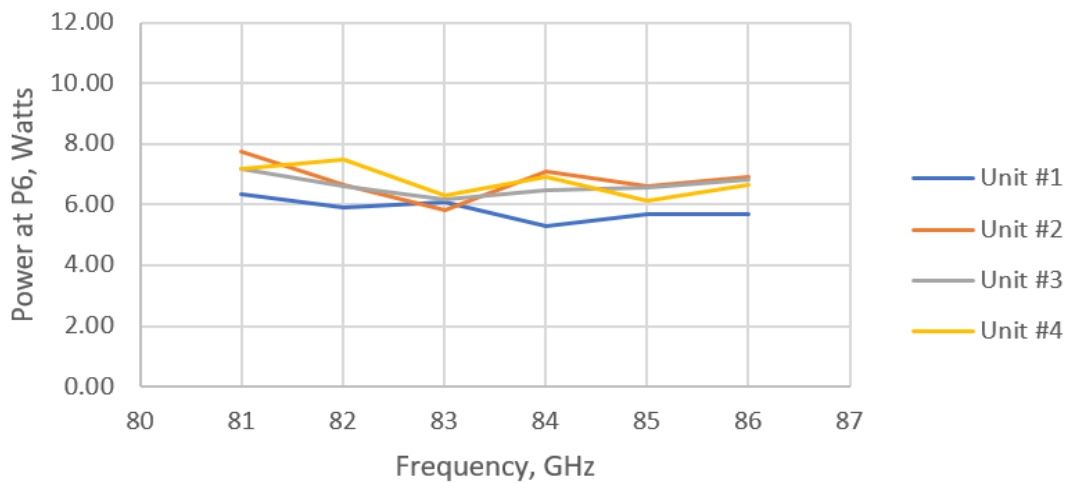
QPW-81863741
W-Band Solid State Power Amplifier

Frequency (GHz)	Power P1dB (dBm)	Gain (dB)	Gain Flatness (\pm dB)	Voltage (V)	Current (A, Typ.)
81-86	37 (Psat)	37	2 (typ)	12-32	13A@12V

Plots



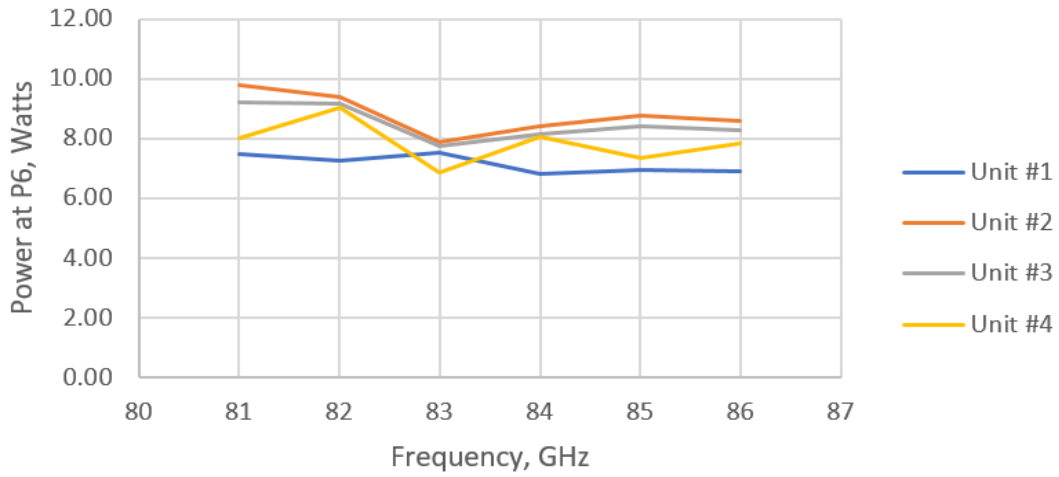
Output Power at 0 dBm input, Watts
65 deg C



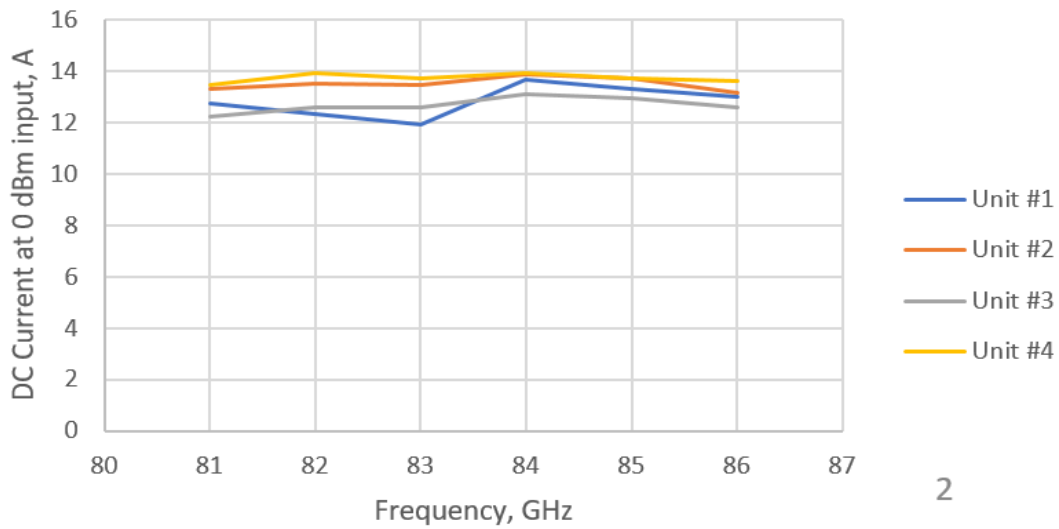
Made in USA



Output Power at 0 dBm input, Watts
25 deg C

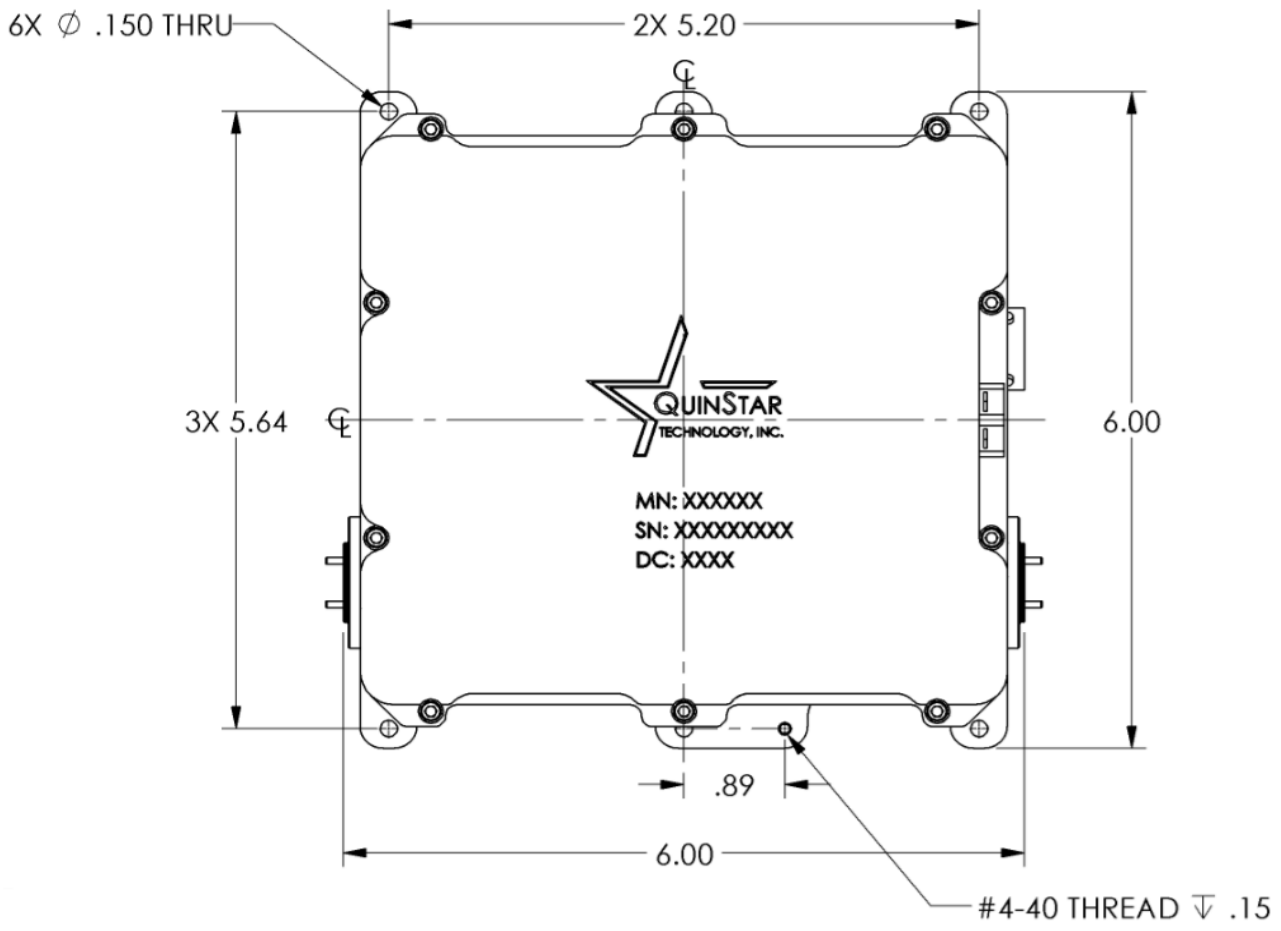


DC current, 0 dBm input
25 deg C





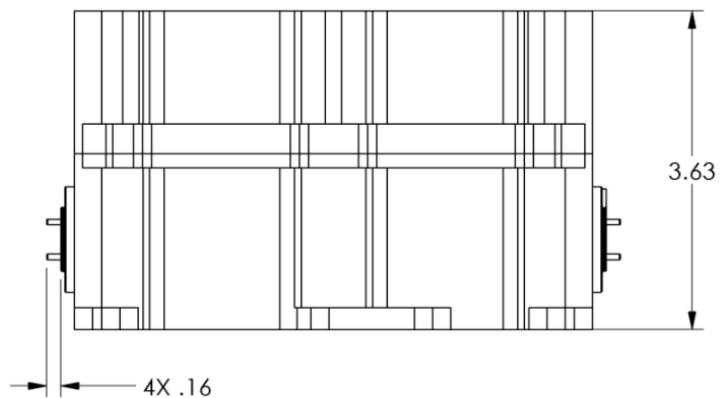
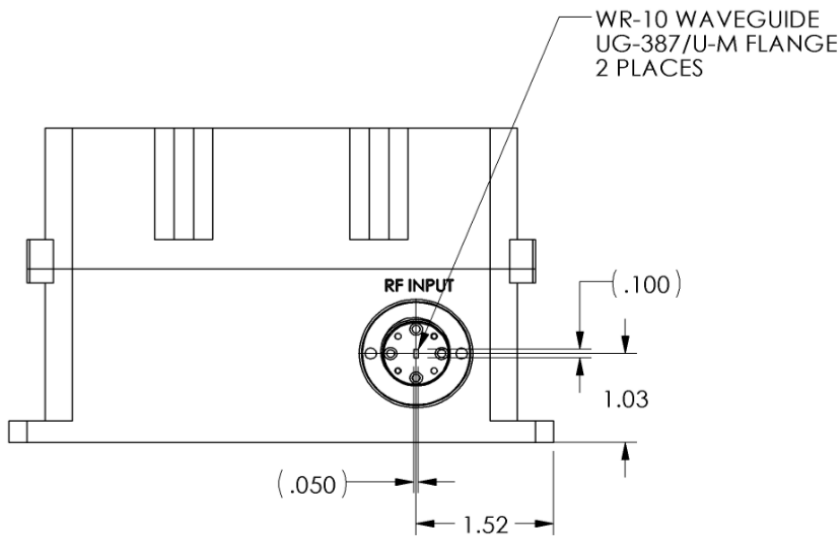
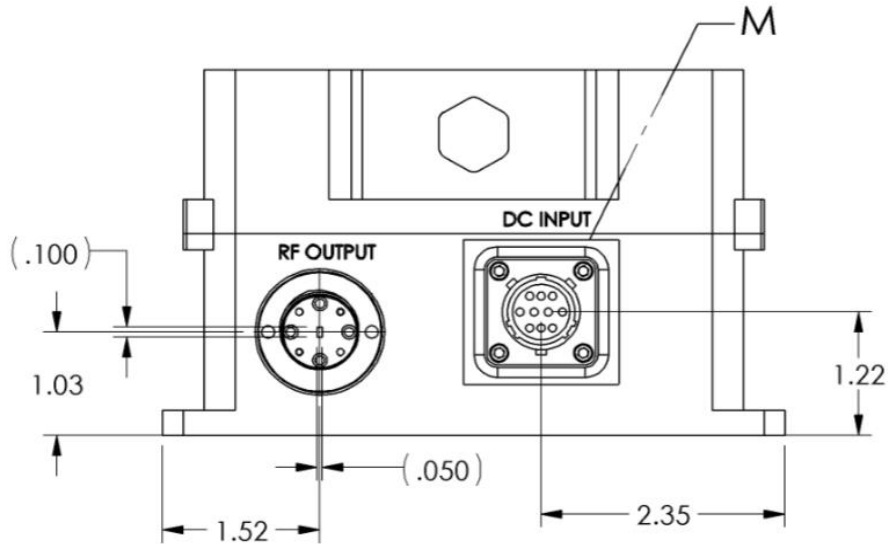
QPW-81863741
W-Band Solid State Power Amplifier



Made in USA



QPW-81863741 W-Band Solid State Power Amplifier



Made in USA