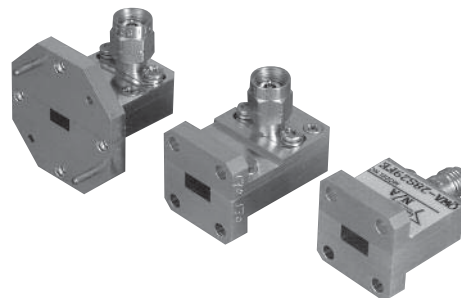


Characteristics

- ◆ Low Insertion Loss
- ◆ Full Waveguide Band Operation
- ◆ Frequency Ranges 12.4 to 67 GHz



Product Description

QuinStar Technology's **QWA** series **waveguide to coax adapters** allow an efficient method of transition from rectangular waveguide to a coaxial connector. Full waveguide band adapters are available from 18 to 67 GHz in K through V bands. Coaxial connectors include N, SMA, K, 2.4 mm and V connectors as appropriate for the applicable frequency range, with both male and female types. Exceptionally low insertion loss and low VSWR are the key features of this series of adapters.

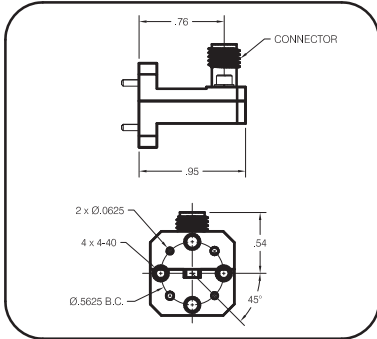
Two mechanical configurations for the interfaces of these adapters are offered: Right Angle and End-Launch. End launch or in-line version of the adapters are constructed such that the waveguide port and the coaxial connector are in line with each other. These adapters are very compact and useful where right angle adapters are mechanically not suitable.

Specifications

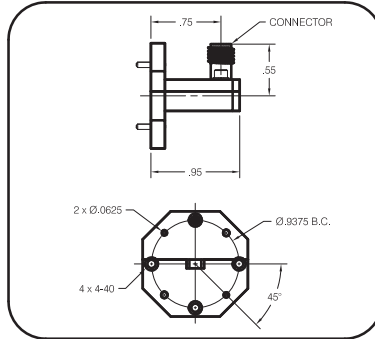
Model No. Range, (GHz)	Frequency	Waveguide	Flange	Standard Connectors Available	Insertion Loss (dB) max.		VSWR (typ.)	
					Right Angle	End Launch	Right Angle	End Launch
QWA-62	12.4-18	WR-62	UG-419/U	N, SMA	0.3	0.4	1.25:1	1.5:1
QWA-51	15-22	WR-51	UG-419/U	SMA, K	0.3	0.4	1.25:1	1.5:1
QWA-42	18-26.5	WR-42	UG-595/U	SMA, K	0.3	0.4	1.25:1	1.5:1
QWA-34	22-33	WR-34	UG-595/UM	K, 2.4 mm	0.35	0.45	1.25:1	1.5:1
QWA-28	26.5-40	WR-28	UG-599/U	K, 2.4 mm	0.4	0.5	1.25:1	1.5:1
QWA-180	18-40	WRD-180	UG-1587	K	N/A	0.6	N/A	1.5:1
QWA-22	33-50	WR-22	UG-383/UM	K*, 2.4 mm	0.6	0.7	1.35:1	1.5:1
QWA-19	40-60	WR-19	UG-383/UM	2.4 mm*, V	0.8	0.9	1.5:1	1.6:1
QWA-15	50-67	WR-15	UG-385/U	V	1.2	1.3	1.5:1	1.6:1

* K connector up to 40 GHz only. Also, 2.4 mm connector up to 50 GHz only.

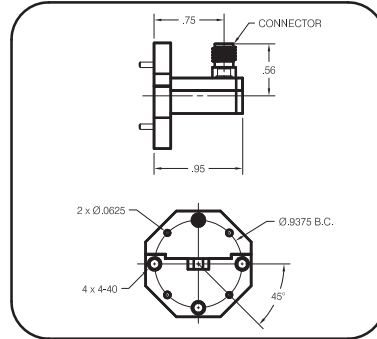
Outline Drawings/Mechanical Specifications



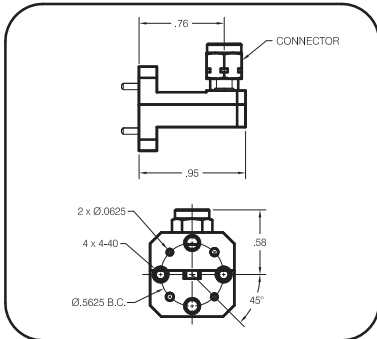
QWA15R18F



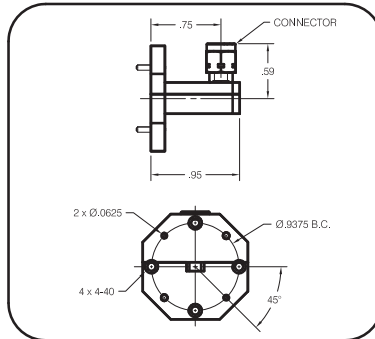
QWA19R18F



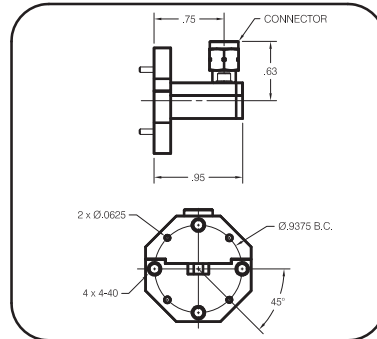
QWA22R24F



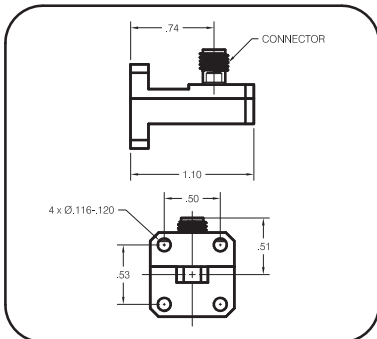
QWA15R18M



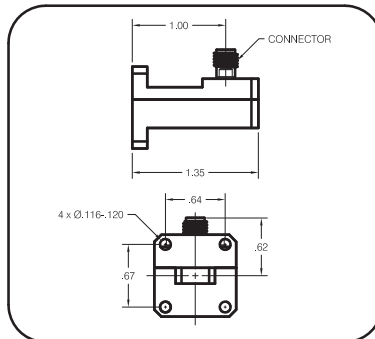
QWA19R18M



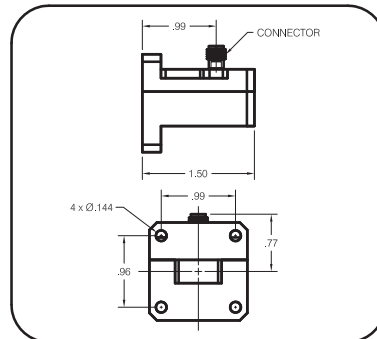
QWA22R24M



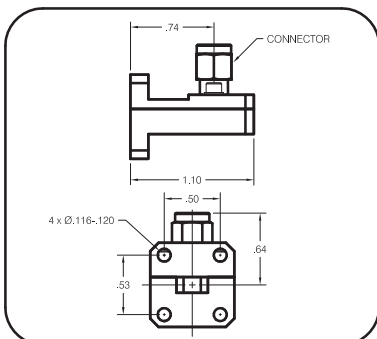
QWA28S29F



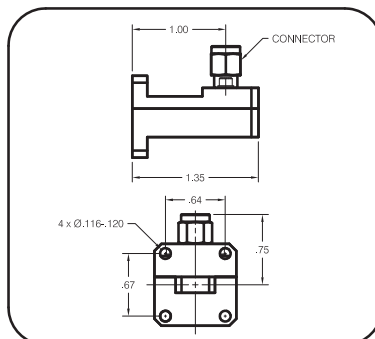
QWA42S29F



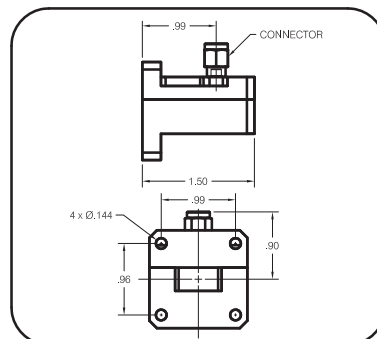
QWA62S35F



QWA28S29M

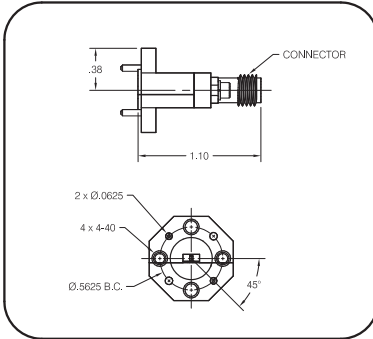


QWA42S29M

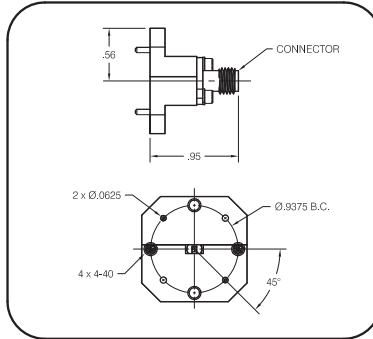


QWA62S35M

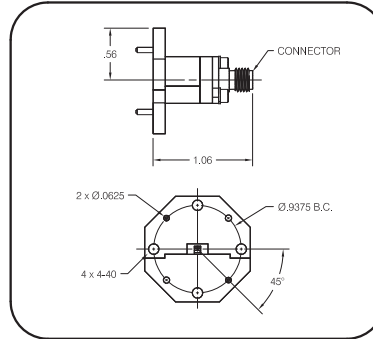
Outline Drawings/Mechanical Specifications



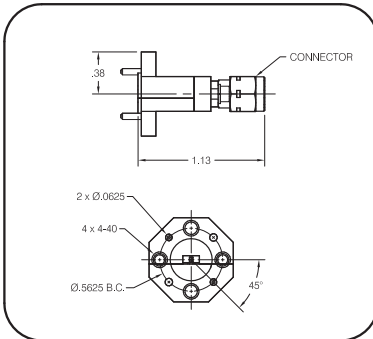
QWA15R18FE



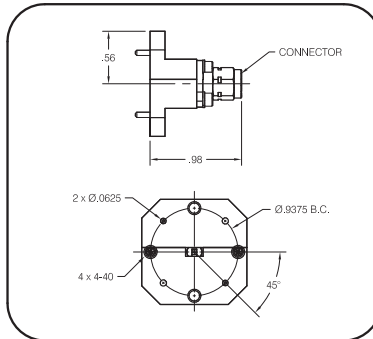
QWA19R18FE



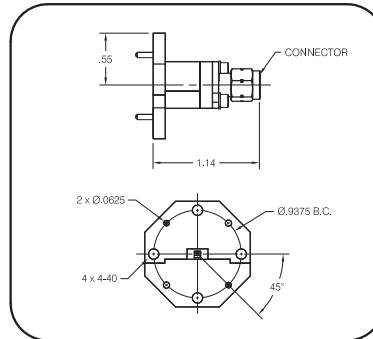
QWA22R24FE



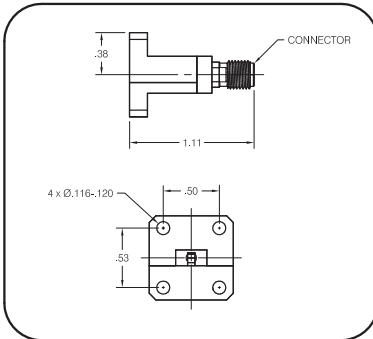
QWA15R18ME



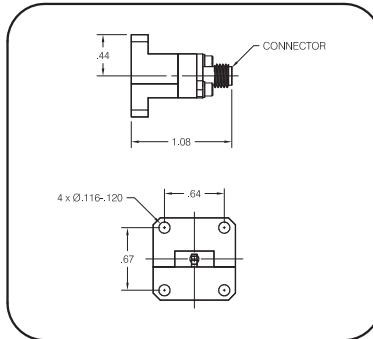
QWA19R18ME



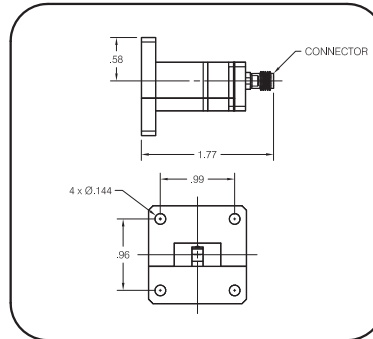
QWA22R24ME



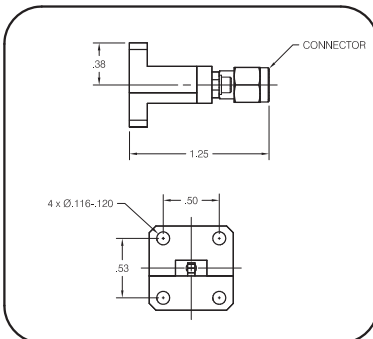
QWA28S29FE



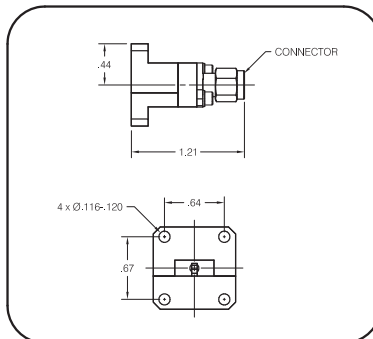
QWA42S29FE



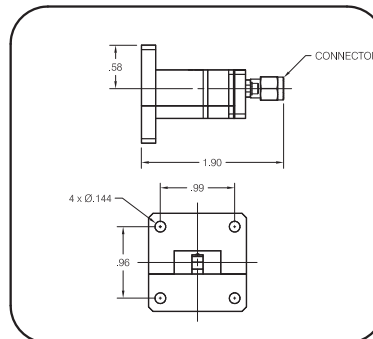
QWA62S35FE



QWA28S29ME



QWA42S29ME



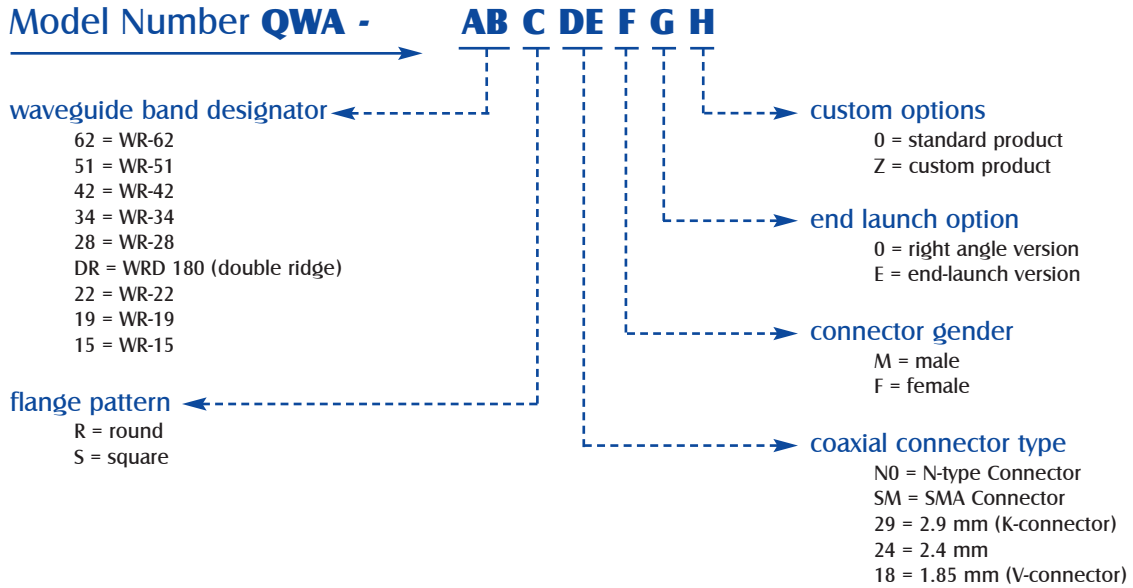
QWA62S35ME



Waveguide to Coax Adapters

QWA

Ordering Information



Waveguide Products and Filters 5