



QWA WAVEGUIDE TO COAX ADAPTERS

Specifications

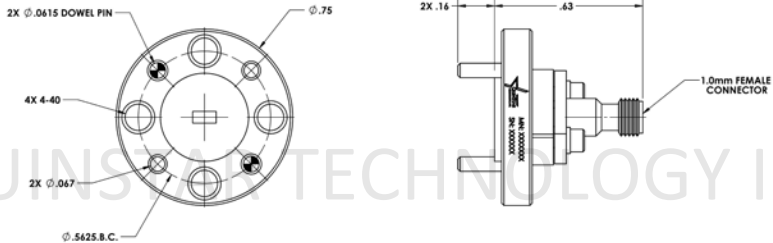
Model No. Range, (GHz)	Frequency	Waveguide	Flange	Standard Connectors Available	Insertion Loss (dB) max.		VSWR (typ.)	
					Right Angle	End Launch	Right Angle	End Launch
QWA-62	12.4-18	WR-62	UG-419/U	N***, SMA	0.3	0.4	1.25:1	1.5:1
QWA-51	15-22	WR-51	Cover	SMA, K	0.3	0.4	1.25:1	1.35:1
QWA-42	18-26.5	WR-42	UG-595/U	SMA, K	0.3	0.4	1.25:1	1.35:1
QWA-34	22-33	WR-34	UG-595/UM	K, 2.4 mm	0.35	0.45	1.25:1	1.35:1
QWA-28	26.5-40	WR-28	UG-599/U	K, 2.4 mm	0.4	0.5	1.25:1	1.35:1
QWA-180	18-40	WRD-180	UG-1587	K	N/A	0.6	N/A	1.4:1
QWA-22	33-50	WR-22	UG-383/U	K*, 2.4 mm*	0.6	0.7	1.35:1	1.5:1
QWA-19	40-60	WR-19	UG-383/UM	2.4 mm*, V**	0.8	0.9	1.5:1	1.6:1
QWA-15	50-67	WR-15	UG-385/U	V	0.8	0.8	1.5:1	1.6:1
QWA-15	50-75	WR-15	UG-383/UM	1 mm	0.7	0.6	1.5:1	1.5:1
QWA-12	60-90	WR-12	UG-383/UM	1 mm	0.6	0.6	1.5:1	1.5:1
QWA-10	75-110	WR-10	UG-385/U	1 mm	0.7	0.8	1.5:1	1.5:1

* K connector up to 40 GHz only. Also, 2.4 mm connector up to 50 GHz only.

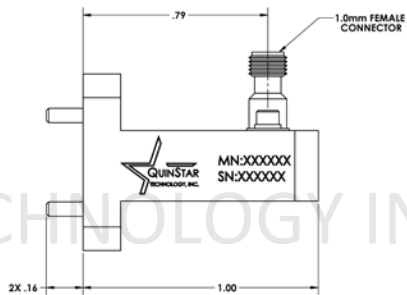
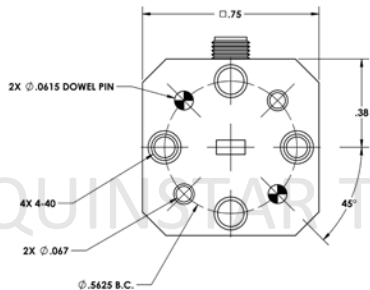
** V connector (1.85 mm) up to 67 GHz.

*** Insertion loss for type N connector is 0.4 dB typ and 0.8 dB max.

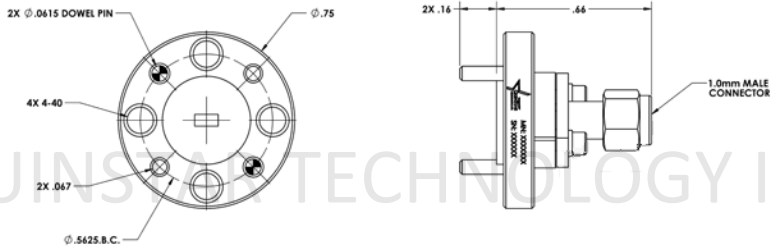
QWA-10R10FE0



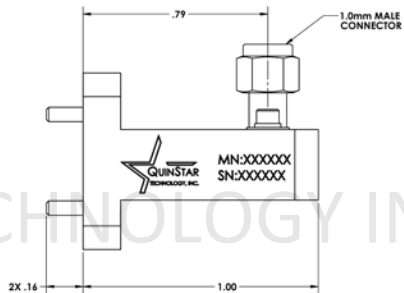
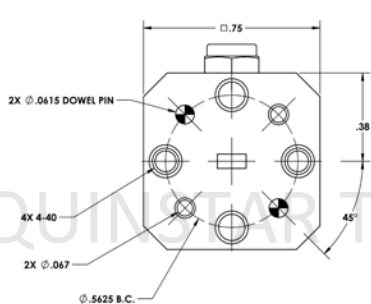
QWA-10R10F00



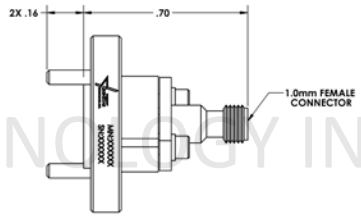
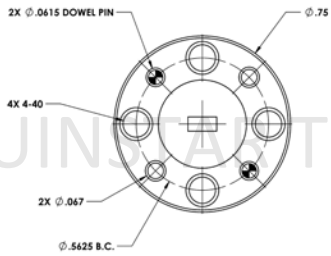
QWA-10R10ME0



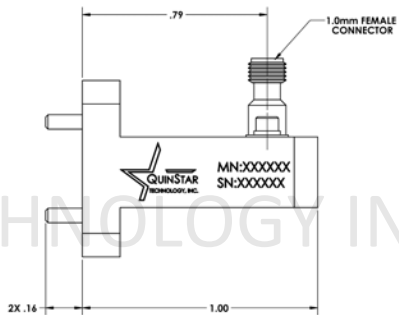
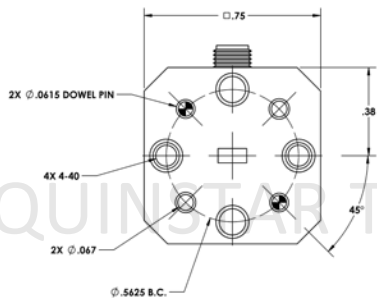
QWA-10R10M00



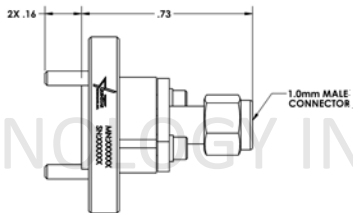
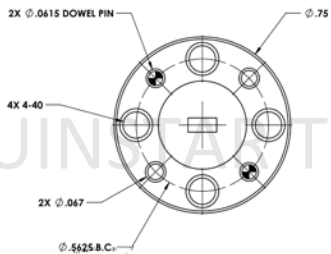
QWA-12R10FE0



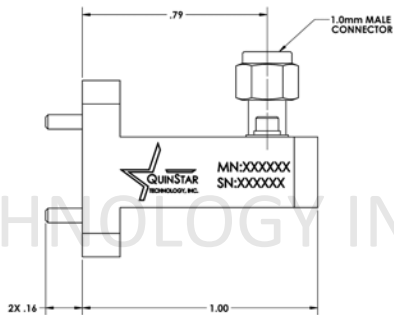
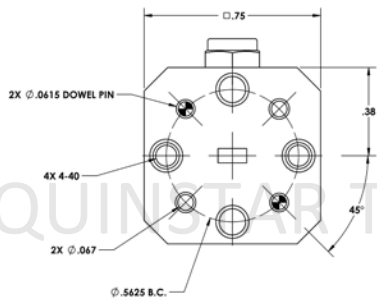
QWA-12R10F00



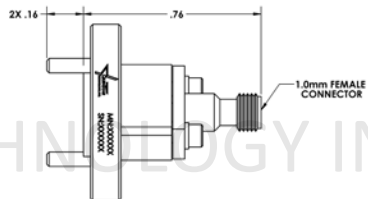
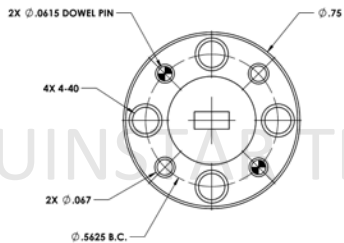
QWA-12R10ME0



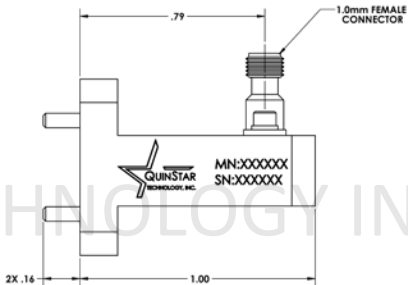
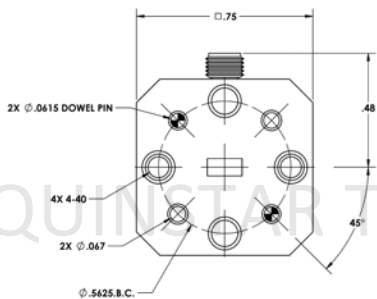
QWA-12R10M00



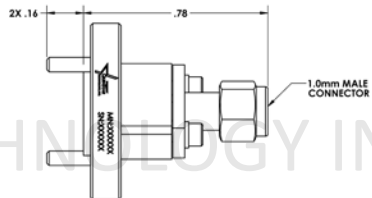
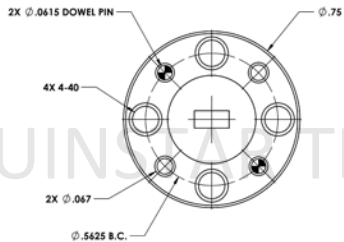
QWA-15R10FE0



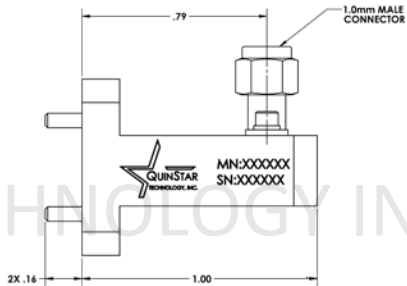
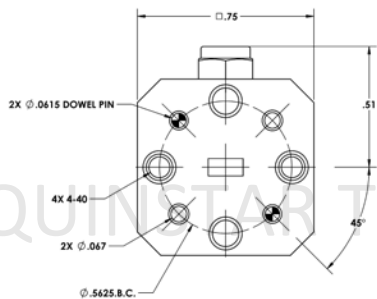
QWA-15R10F00



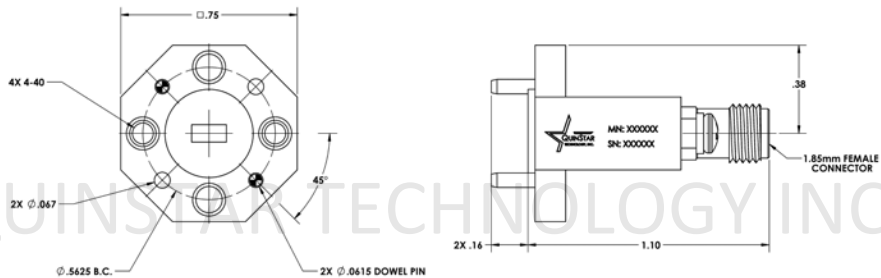
QWA-15R10FME0



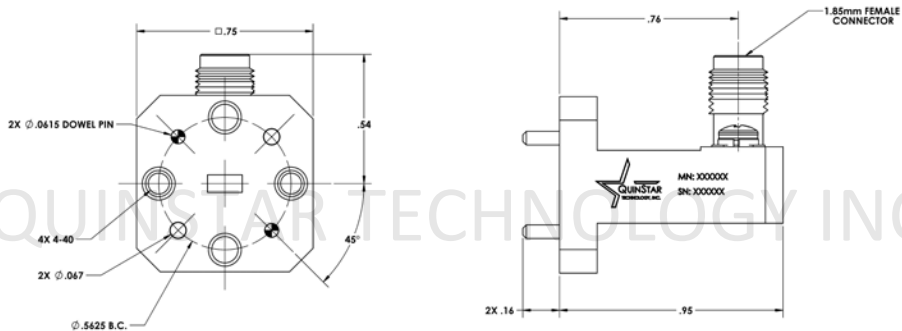
QWA-15R10M00



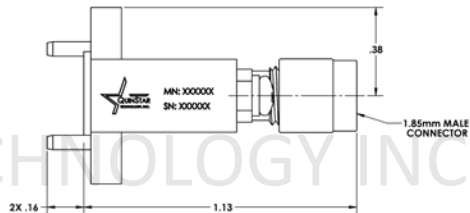
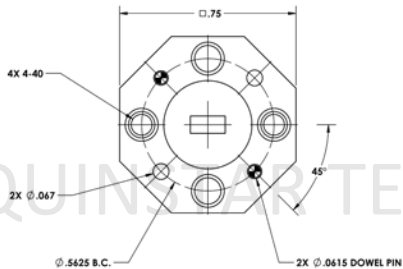
QWA-15R18FEO



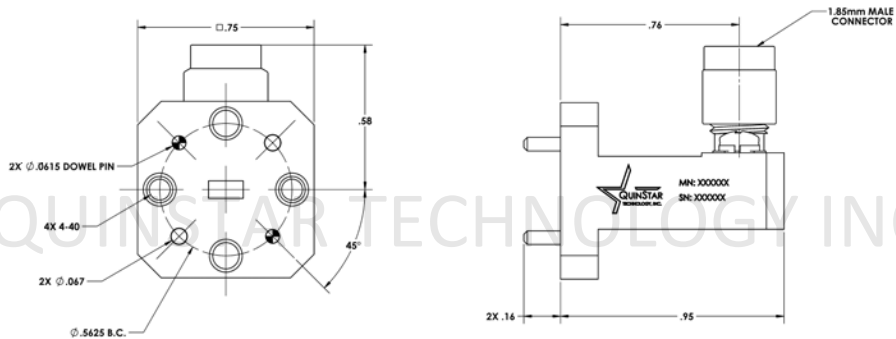
QWA-15R18F00



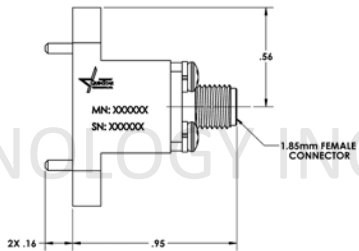
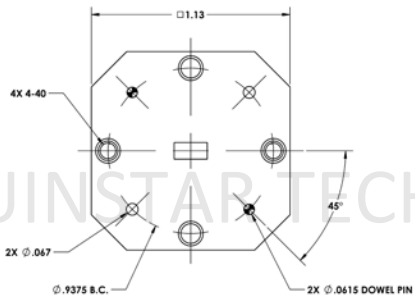
QWA-15R18ME0



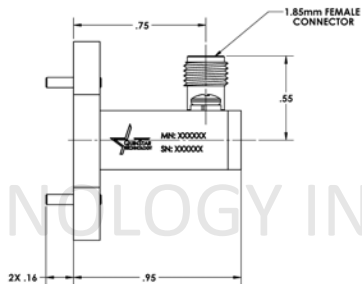
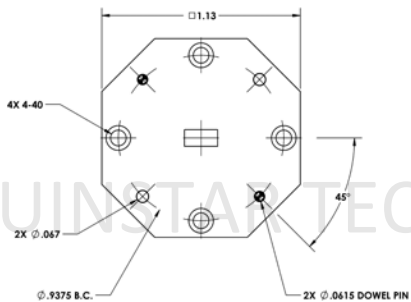
QWA-15R18M00



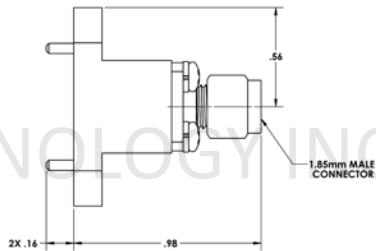
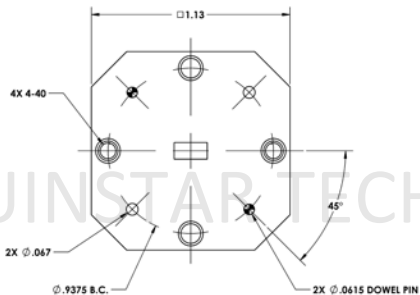
QWA-19R18FE0



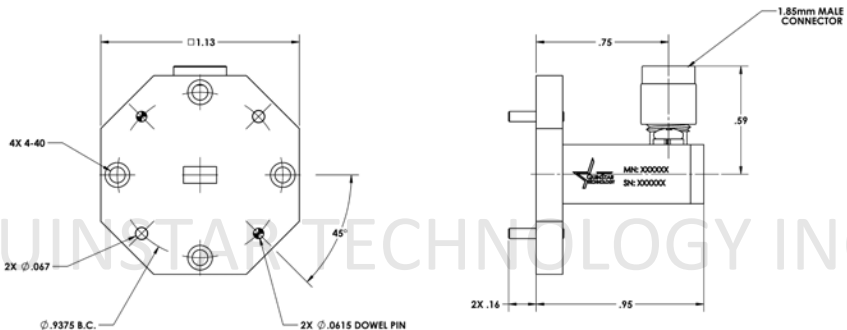
QWA-19R18F00



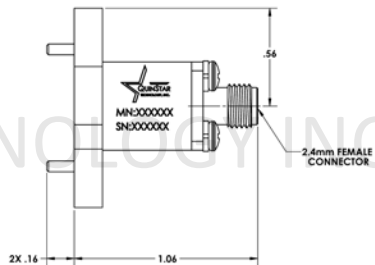
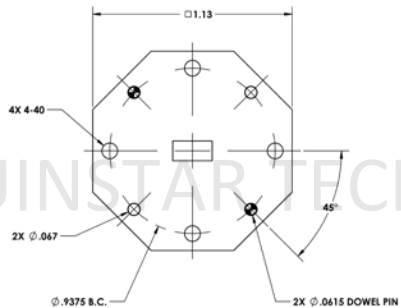
QWA-19R18ME0



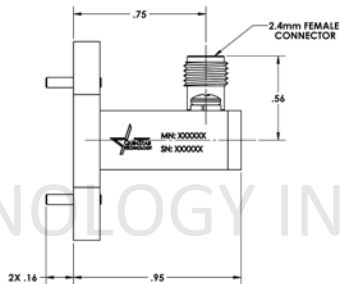
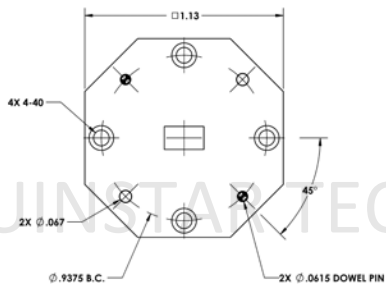
QWA-19R18M00



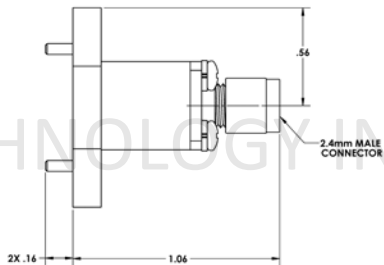
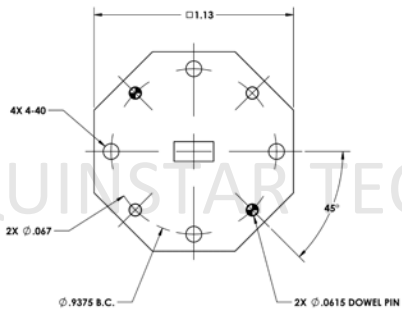
QWA-22R24FE0



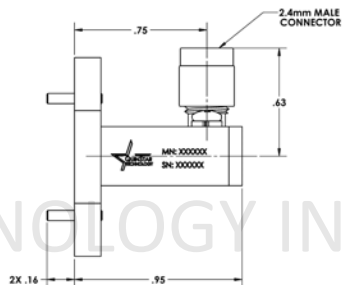
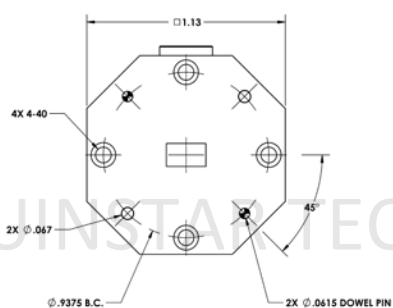
QWA-22R24F00



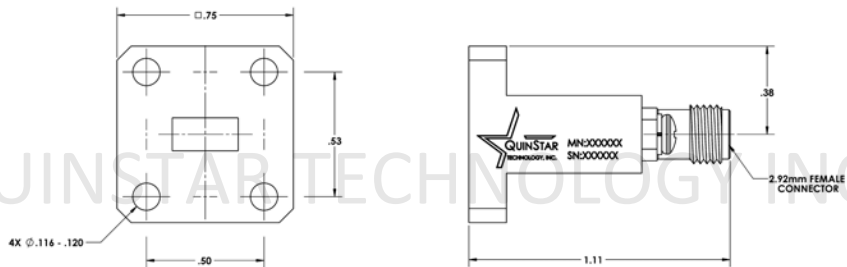
QWA-22R24ME0



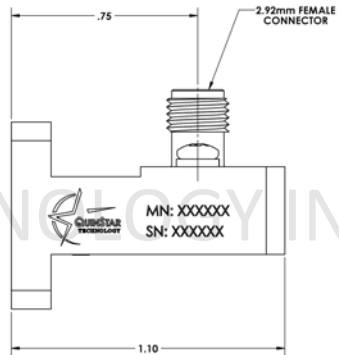
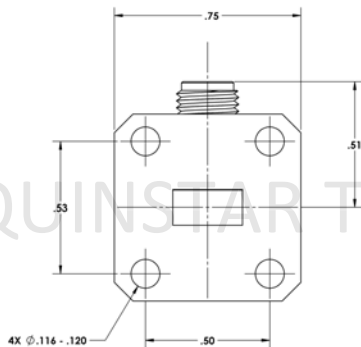
QWA-22R24M00



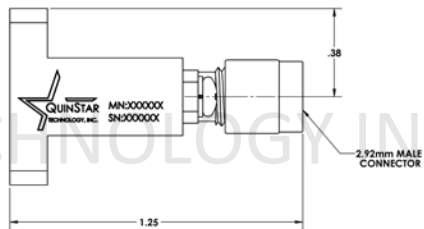
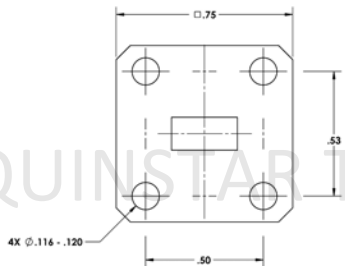
QWA-28S29FE0



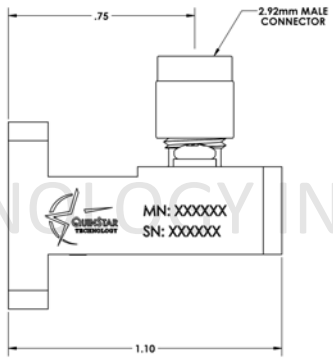
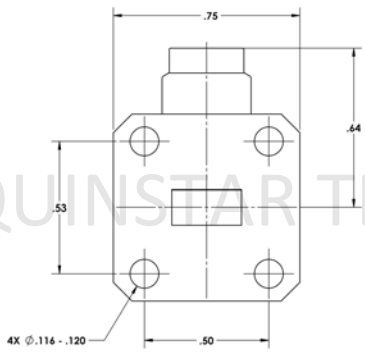
QWA-28S29F00



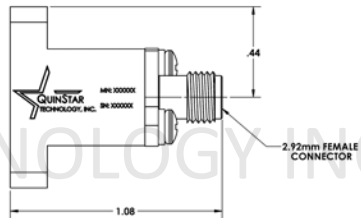
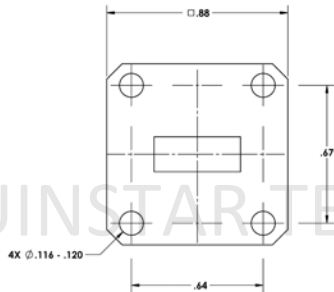
QWA-28S29ME0



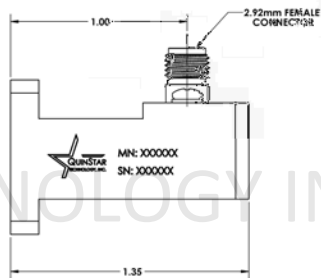
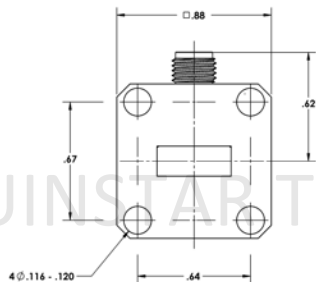
QWA-28S29M00



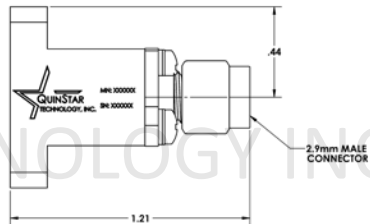
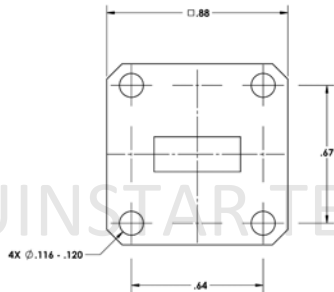
QWA-42S29FE0



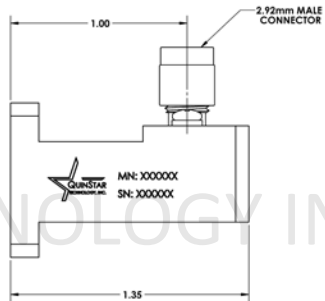
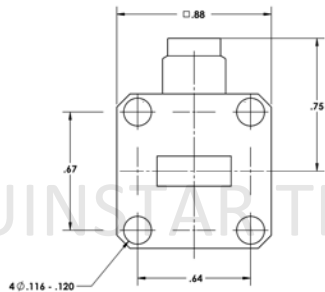
QWA-42S29F00



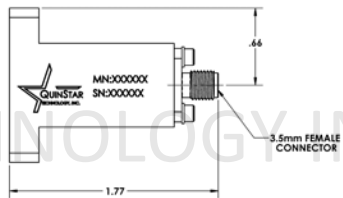
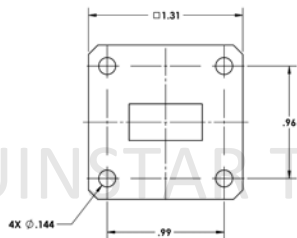
QWA-42S29ME0



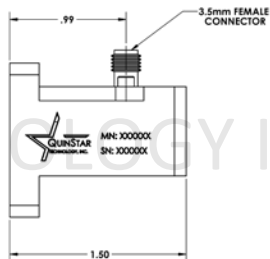
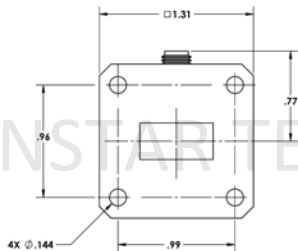
QWA-42S29M00



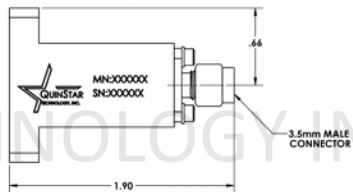
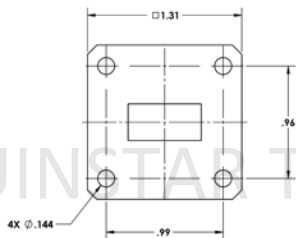
QWA-62S35FE0



QWA-62S35F00



QWA-62S35ME0



QWA-62S35M00

