

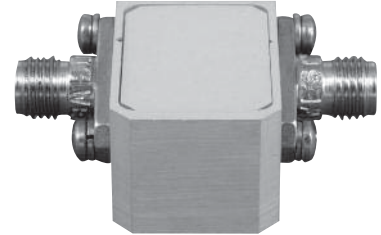


# Coaxial PIN Attenuator

## QVA

### Characteristics

- ◆ Ultra Wide RF Bandwidth
- ◆ Low Insertion Loss
- ◆ Compact Package



### Product Description

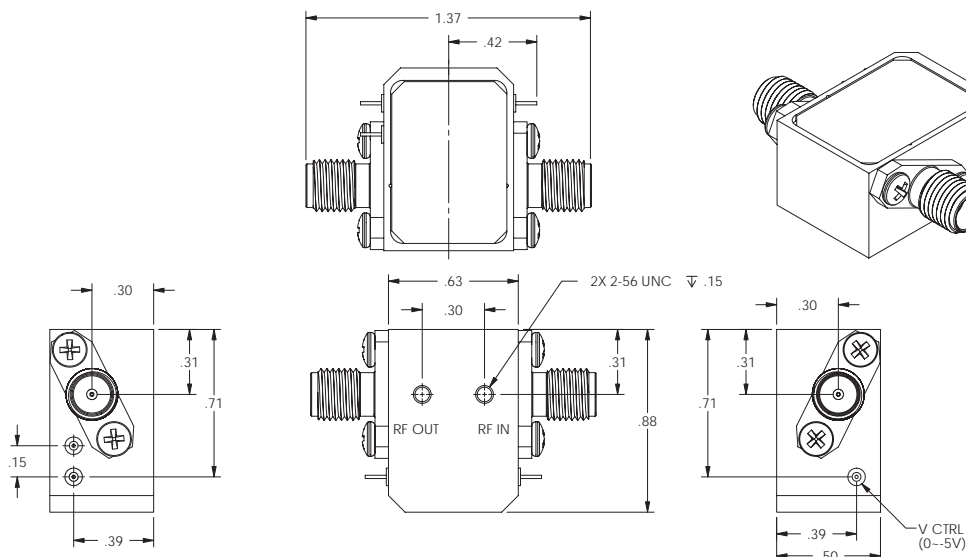
QuinStar Technology's series **QVA** coaxial variable **PIN attenuators** cover the frequency range from DC to 50 GHz. They offer a low insertion loss and a large attenuation range, typically up to 40 dB. These attenuators are housed in a compact package with 2.9 mm or 2.4 mm coaxial connector interfaces. The

control voltage required for varying the attenuation is from 0 to -5 volts. Series QVA attenuators are well suited for signal level control, amplitude modulation and test and measurement applications.

### Specifications

<b>Frequency Range</b>	DC to 50 GHz
<b>Insertion Loss</b>	2 dB for 20 dB attenuation range 4 dB for 40 dB attenuation range
<b>Power Handling</b>	1 W (30 dBm)
<b>Control Voltage</b>	0 to -5 V DC

### Outline Drawings/Mechanical Specifications





# Coaxial PIN Attenuator

## QVA

### Ordering Information

