

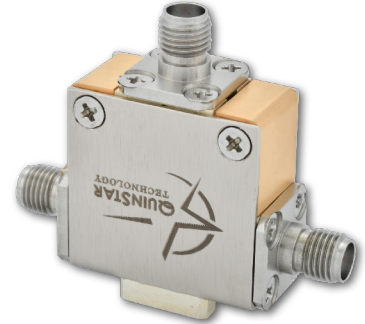


# QCY-G0401201\_\_

## 4 - 12 GHz Cryogenic Circulator

### DESCRIPTION

QCY Cryogenic Circulators are field-displacement devices that offer exceptional broadband performance down to the mK range. The housing is made of OFHC copper and designed for optimal thermalization. We offer optional magnetic shielding. QCY products are available in array configurations to suit your applications. We design and manufacture our cryogenic circulators to meet your requirements.



### FEATURES

- Exceptional Performance Down to the mK Range
- Low Insertion Loss
- Available with Standard, M $\mu$ -metal or Double Shielding

### APPLICATIONS

- Quantum Computing
- Radio Astronomy
- Particle Physics Research

### TECHNICAL SPECIFICATIONS: 4-12 GHz

PARAMETER	TYPICAL
Return Loss	20.0 dB
Insertion Loss	0.20 dB
Isolation	20.0 dB

Note: Double and higher junctions are also available.

### MECHANICAL SPECIFICATIONS

ITEM	SPECIFICATION
Connector	SMA Female/Male
Size	0.51" (W) x 1.75" (L) x 1.51" (H)
Housing Material	OFHC Copper
Weight	60g

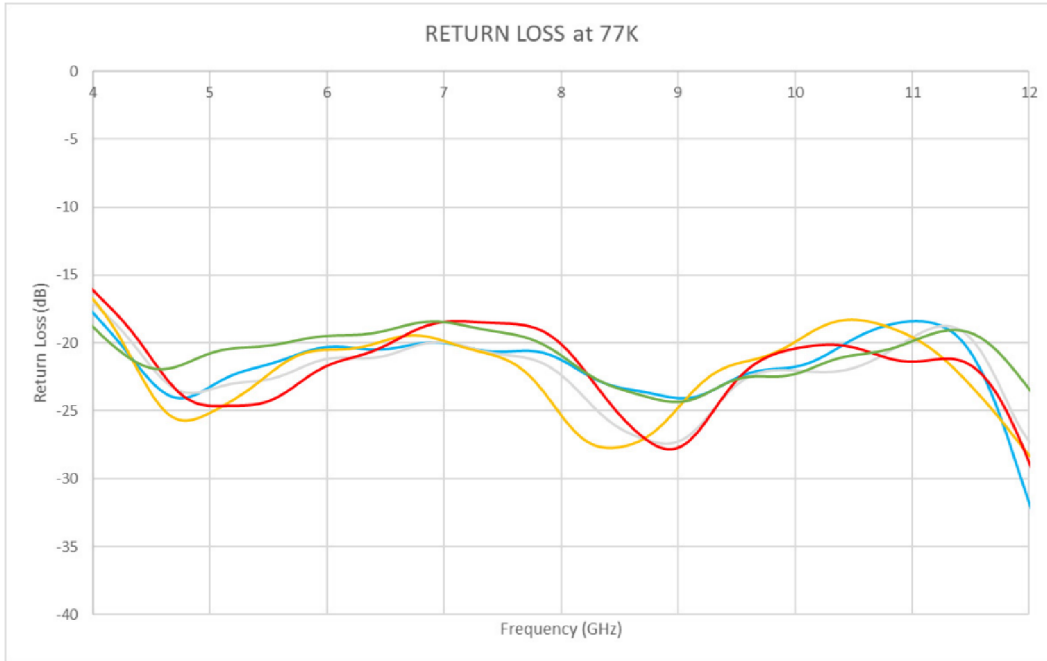




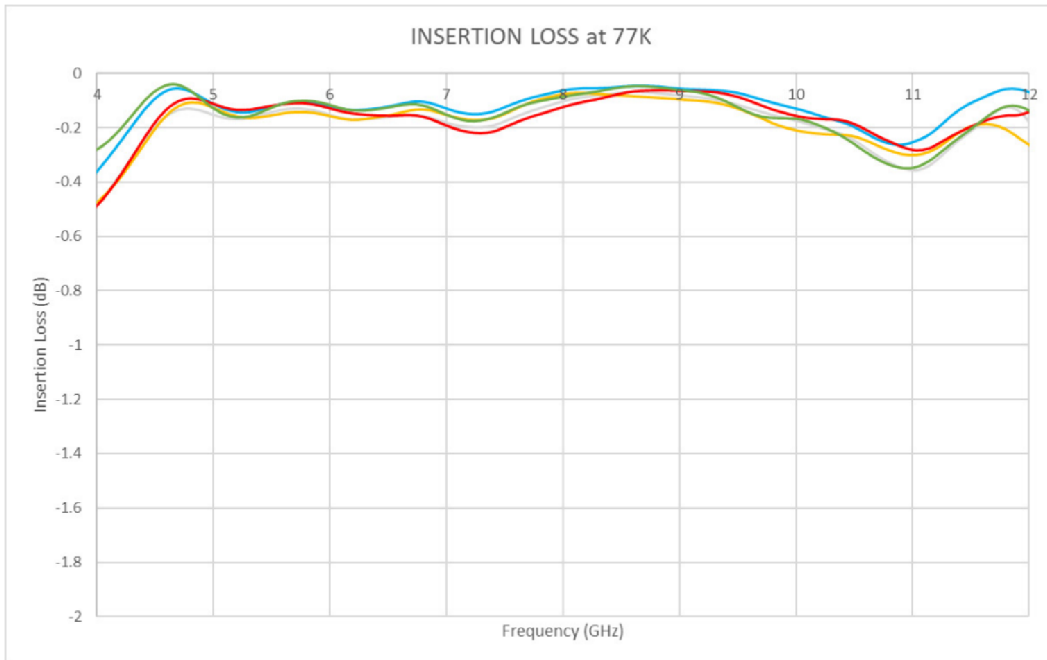
# QCY-G0401201\_\_

## 4 - 12 GHz Cryogenic Circulator

### RETURN LOSS VS. FREQUENCY



### INSERTION LOSS VS. FREQUENCY



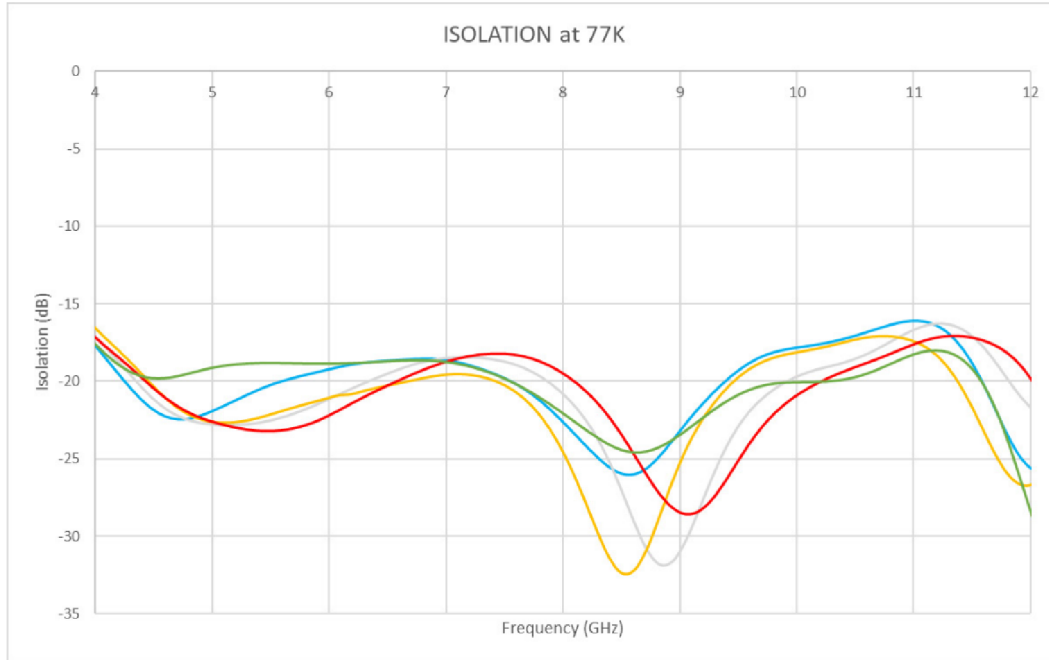
MADE IN U.S.A.



# QCY-G0401201\_\_

## 4 - 12 GHz Cryogenic Circulator

### ISOLATION VS. FREQUENCY



MADE IN U.S.A.

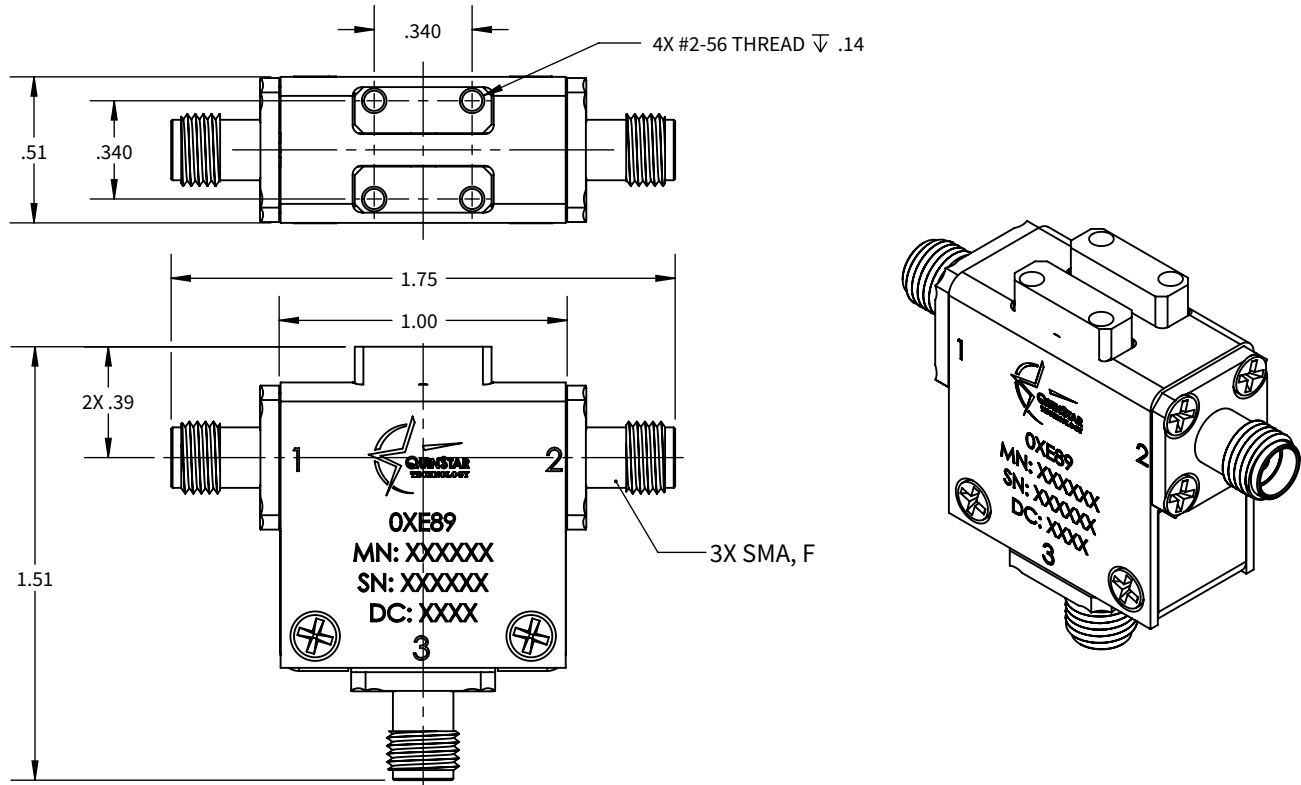


# QCY-G0401201\_\_

## 4 - 12 GHz Cryogenic Circulator

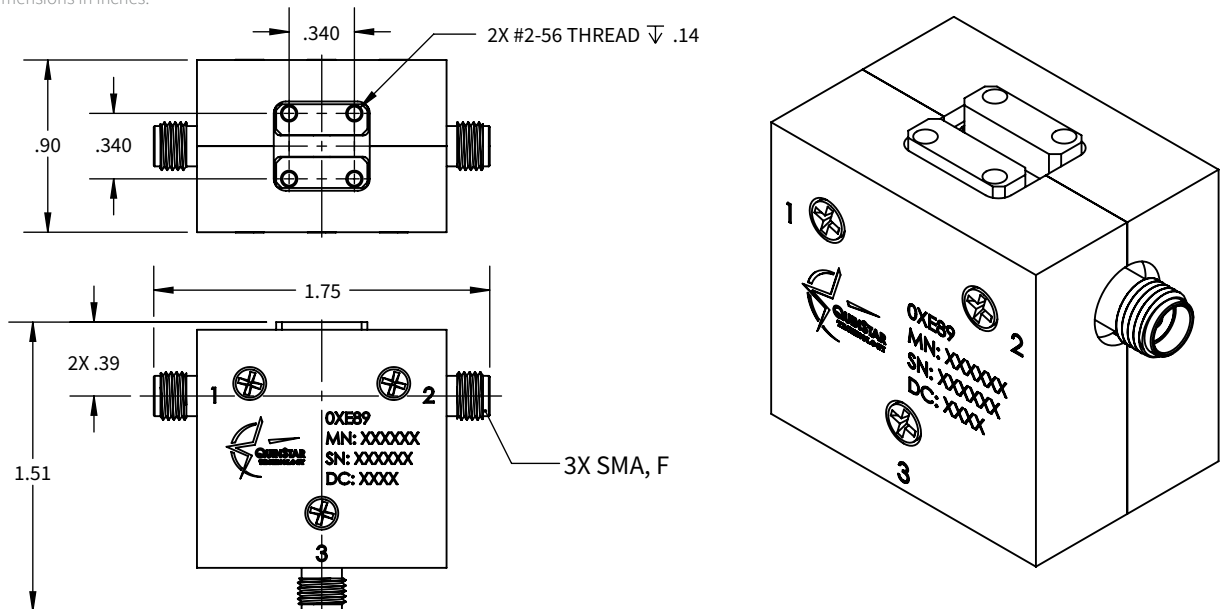
### MECHANICAL OUTLINE (WITH STANDARD OR Mμ-METAL SHIELDING)

Note: Dimensions in inches.



### MECHANICAL OUTLINE (WITH DOUBLE SHIELDING)

Note: Dimensions in inches.



MADE IN U.S.A.