



QPA Enhanced Series

Motorized Programmable Attenuator

DESCRIPTION

QuinStar Technology's precision motorized programmable rotary vane attenuators are available in 9 waveguide bands from 18 to 170 GHz. Attenuation control can be either manual via a front panel numerical keypad or remote-controlled using USB-C, RS485, LAN, or standard IEEE-488 interface. QPA series' motorized attenuator's small compact package incorporates both the electronic controller and attenuator components. The unit operates with a single +24 VDC source or with an optional AC adapter. Attenuation range is from 0 to 80 dB in 0.02 dB steps. The numerical keypad in the front panel allows for flexible attenuation changes with multiple input methods. A large backlit digital readout is provided on the front panel to display the current attenuation setting. The attenuators are highly reliable and designed for use in automated test applications requiring remote power control. With QuinStar's new QPA series attenuators, users can now select a calibration map tailored to their frequency of choice to minimize tolerance errors, which can be done at the device level or through a remote session.



Our QPA products are built in-house from the ground up using modular components and various automation tools. QuinStar is happy to offer a 1-week turn around for yearly calibration services.

FEATURES

- Built-in calibration maps (or user selectable calibration maps)
- Compact size
- Offered over 18 to 170 GHz (WR-42 to WR-7)
- High accuracy and reliability
- User-friendly numerical keypad input with large digital readout
- Manual/motorized operation mode

INTERFACE SPECIFICATIONS

GPIB	Programmable GPIB address with GPIB dongle
LAN	AES encryption ready Programmable IP address LXI compliant*
RS485	Programmable baud rate EIA compliant
USB-C	CDC Class USBTMC compliant*
Remote Software	Included

*Not certified.



MADE IN U.S.A.



QPA Enhanced Series

Motorized Programmable Attenuator

ELECTRICAL SPECIFICATIONS

	K	Ka	Q	U	V	E	W	F	D
Frequency Range (GHz)	18 - 26.5	26.5 - 40	33 - 50	40 - 60	50 - 75	60 - 90	75 - 110	90 - 140	110 - 170
Attn. Range (dB)	0 - 70	0 - 70	0 - 70	0 - 70	0 - 70	0 - 70	0 - 70	0 - 70	0 - 60
Step size (dB)	0.02	0.02	0.02	0.02	0.02	0.02	0.02	0.02	0.02
Linearity (dB)	0.05	0.05	0.05	0.05	0.05	0.05	0.05	0.05	0.05
Ins. Loss @ min. attn. (dB)	0.5	0.5	0.6	0.7	0.8	1	1.8	2.5	3
VSWR @ min. Attn.	1.15	1.15	1.15	1.15	1.15	1.17	1.2	1.25	1.3
VSWR @ max Attn.	1.15	1.15	1.15	1.15	1.15	1.17	1.2	1.25	1.3
Max. safe power handling (mW)	1000	500	500	400	300	250	250	200	200
DC Input	24 VDC								
Attenuation adjustment type	Numerical Keypad								
Front panel display	Backlit LCD								
Time to max. rotation	3 s								
Weight	4 lbs								

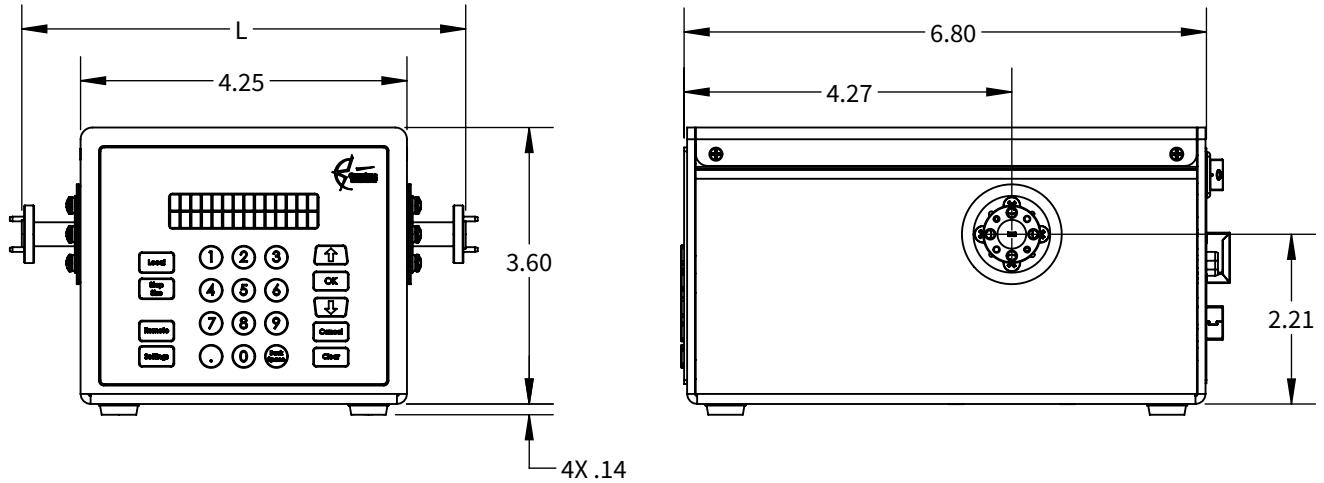


QPA Enhanced Series

Motorized Programmable Attenuator

OUTLINE

Note: Dimensions in inches.



BAND	L	FLANGE
K	8.48	UG-595/U
Ka	6.87	UG-599/U
Q	6.24	UG-383/U
U	6.00	UG-383/U-M
V	5.78	UG-385/U
E	5.78	UG-387/U
W	5.78	UG-387/U-M
F	5.78	UG-387/U-M
D	5.78	UG-387/U-M

*Custom flange options available upon request.

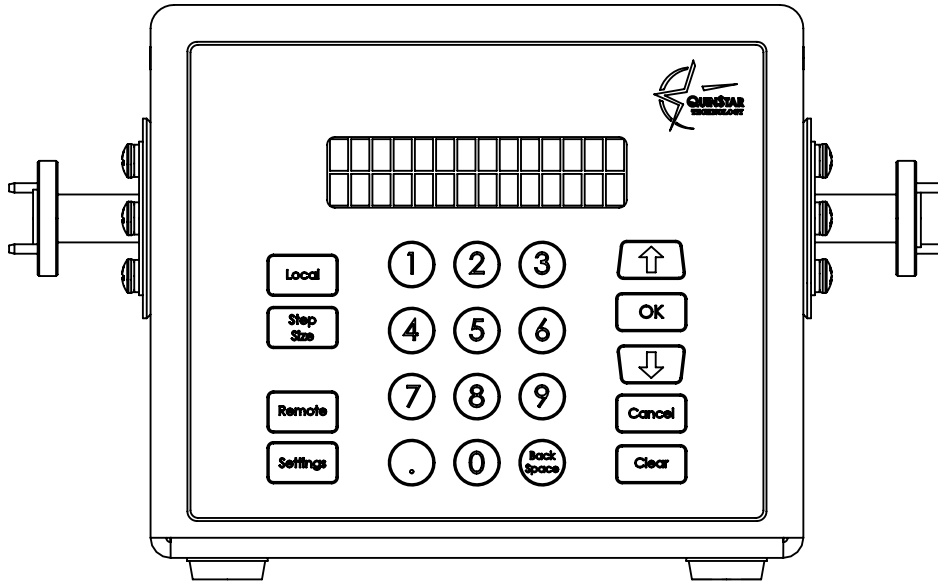




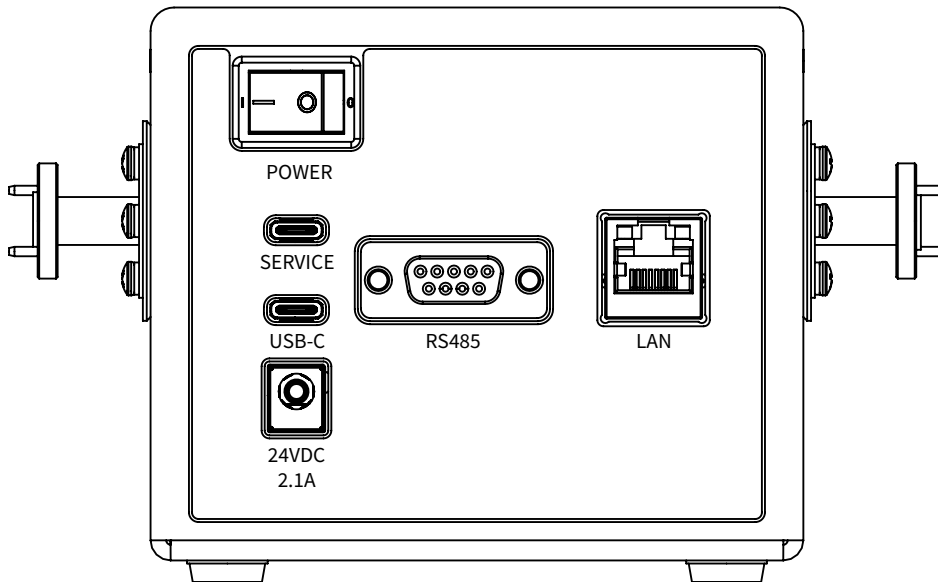
QPA Enhanced Series

Motorized Programmable Attenuator

FRONT DISPLAY



REAR INTERFACE

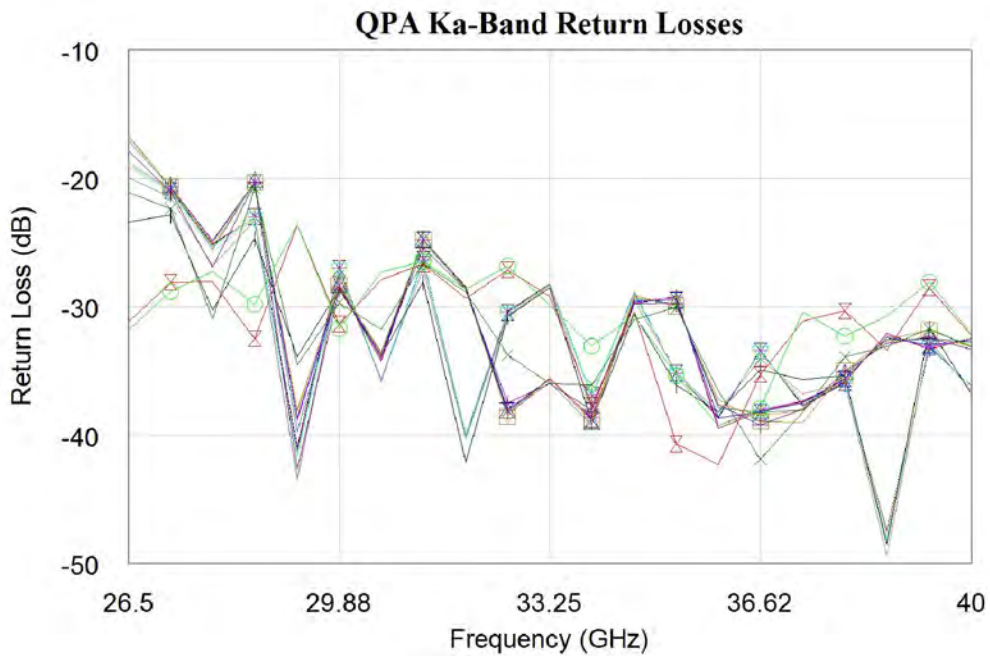
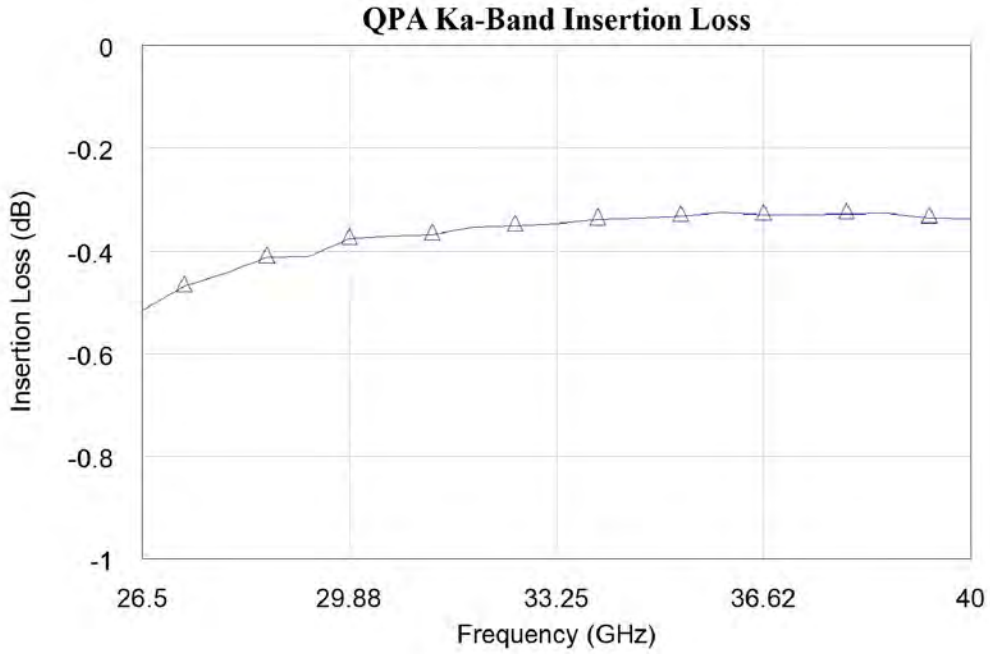


MADE IN U.S.A.



QPA Enhanced Series

Motorized Programmable Attenuator





QPA Enhanced Series

Motorized Programmable Attenuator

