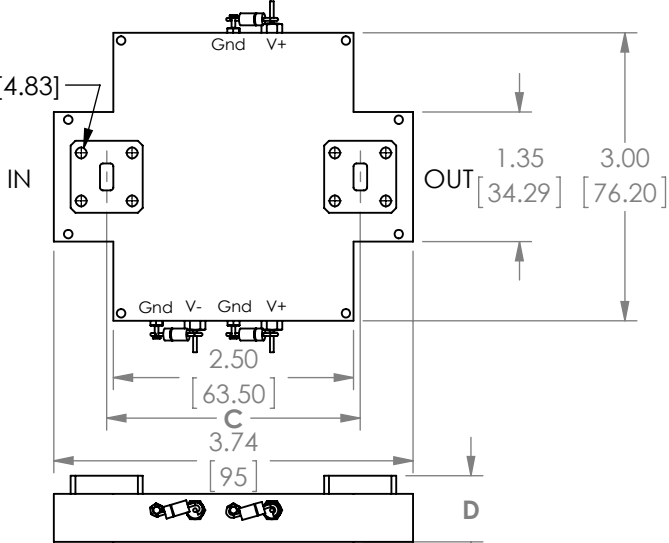
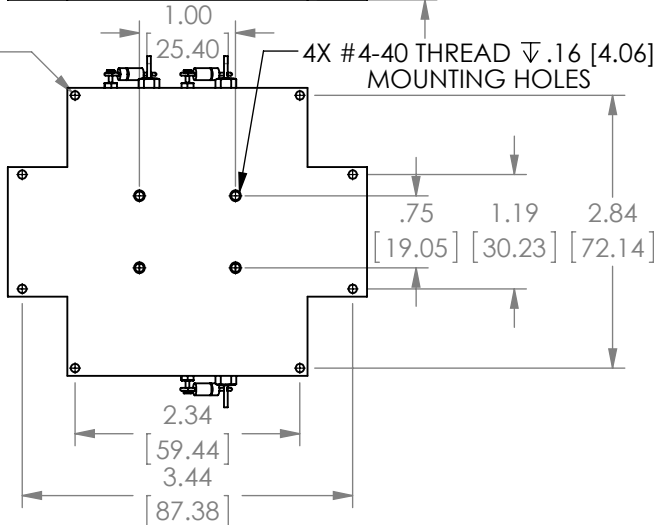


OUTLINE K

8X #4-40 THREAD ∇ .19 [4.83]



8X \varnothing .089 [2.26] THRU ALL MOUNTING HOLES



| DIM | WR-34 | K | Ka | Q | U |
|-----|--------------|---|--------------|--------------|--------------|
| C | 2.67 [67.82] | | 2.64 [67.06] | 2.61 [66.29] | 2.59 [65.79] |
| D | .69 [17.53] | | | .66 [16.76] | |

INCHES [mm]